

# SP-6145

**NEW**



Fanless and Low Power 15" Intel® E3845/E3826/J1900 processor Panel PC

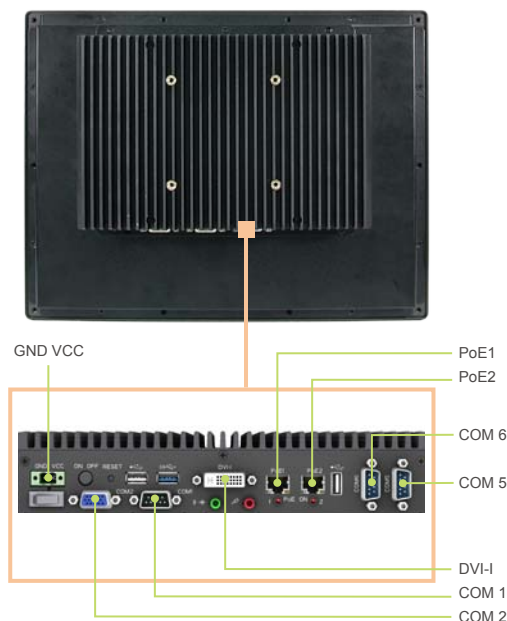


## Features

- Intel® E3845/E3826/J1900 processor on board
- Totally fanless and quiet design
- With 2 ports PoE
- Support CFAST slot or mSATA
- Support 1 x external SD card
- Optional 3G module
- Optional Wireless LAN module
- Support wide voltage DC in (9~36V)
- Support wide temperature (E3845/E3826 only)
- Aluminum front bezel



## I/O Panel View



## Specifications

### System

CPU Type	Intel® E3845/E3826/J1900 processor
Chipset	Intel® SoC
Memory Support	1 x DDR3L SO-DIMM socket, memory up to 8GB (depending on CPU)
Front Bezel	Aluminum
IP65	Yes (for front panel only)
Power Supply	DC in 9~36V
Watchdog	1~255secs Watchdog timer selectable
Operating System	Win7/ Win8.1/ WES7/ WES8
Dimension (W x H x D)	XGA Type : 277.6 x 228.8 x 82 mm
Mounting Support	Wall mount/ VESA 75/ VESA 100
Certificate	FCC / CE

### I/O Ports

Display	1 x DVI-I
USB	2 x USB 2.0 + 1 x USB 3.0
Audio	1 x Line-out, 1 x Mic-in
Serial Port	4x COM port, (COM 1/2 with RI/5V/12V by jumper setting) COM 1/2 for RS232/422/485 (setting by BIOS) COM 3/4 for RS232
LAN	2 x LAN (10/100/1000 Mbps) with PoE 2 PoE support IEEE 802.3af, Max. 15.4W each port
SD Card Slot	1 x external SD card slot with cover
SIM Card Slot	1 x external SIM card slot with cover (for optional 3G module)
Power Input	1 x 2 pin DC in terminal block, supporting 9-36V DC
Power ON/OFF	1 x Power ON/OFF button
Drive Bay	1 x 2.5" SATA HDD
Expansion Slots	1 x CFAST slot, 1 x full size mini PCIe slot (PCIe+USB2.0 & supporting mSATA), 1x half size mini PCIe slot (PCIe+USB2.0, external SIM card)

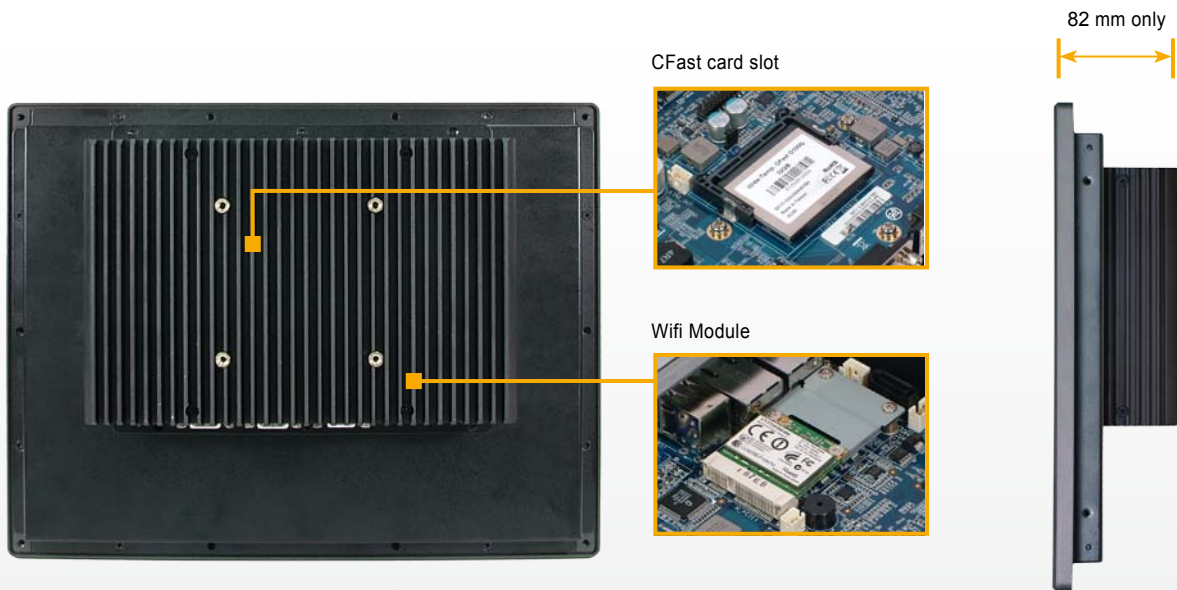
### Display

LCD	15" XGA(resolution 1024x768) LCD Panel
Touch Screen	5-wire resistive type (USB interface)

### Environment

Operation Temp.	0° ~ 50° C (32° ~ 122° F) (w/HDD)(with Airflow) -20° ~ 60° C (-4° ~ 140° F) (with Airflow, w/ Wide temperature CFAST card or mSATA, w/o Audio, E3845/E3826 only)
Storage Temp.	- 20° ~ 80°C (- 4° ~ 176°F)
Humidity	20% ~ 90%

\*All information contained in this document is subject to change without prior notice. Please log on [www.protech.com.tw](http://www.protech.com.tw) to acquire latest information.



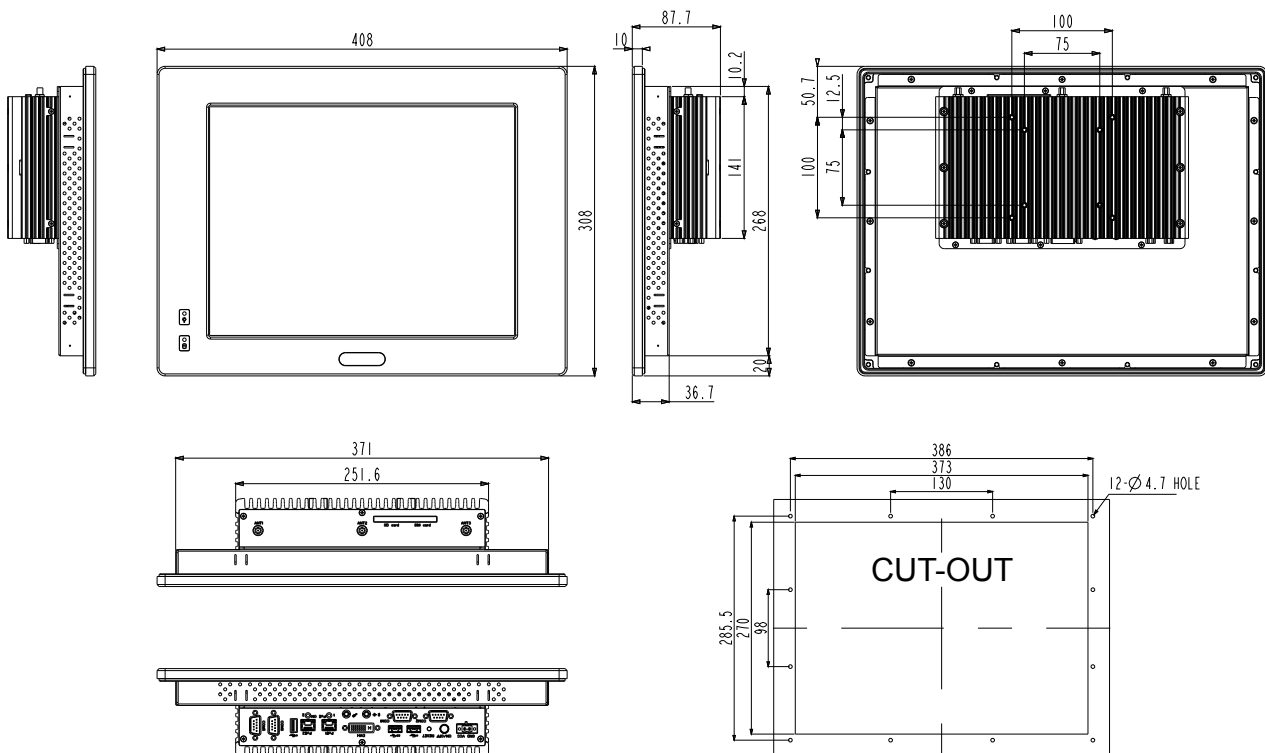
## Ordering Information

Order No	Description
SP-6145RA-A0B	15" fanless Intel® E3845 Panel PC, w/ 15" 1024 x 768 LCD / 5-Wire resistive touch
SP-6145RA-B0B	15" fanless Intel® E3826 Panel PC, w/ 15" 1024 x 768 LCD / 5-Wire resistive touch
SP-6145RA-C0B	15" fanless Intel® J1900 Panel PC, w/ 15" 1024 x 768 LCD / 5-Wire resistive touch
SE-8120RZ-WL1	Wi-Fi Kit
52-002-11072302	72W, 24Vdc output power adaptor
52-901-01002210	WALL Mount Kit (VESA 75/100)
52-901-01002213	Wall Mounting VESA Bracket
52-901-00002110	LCD ARM

## Applications

- Industrial Automation
- Human Machine Interface

## Dimensions



Unit: mm

### Protech Systems Co., Ltd.

No. 24, Lane 365, Yang Goang Street,  
Nei Hu District Taipei 114, Taiwan R.O.C.  
TEL: +886-2-8751-1111

### Protech Technologies Inc.

950 Fee Ana St, Suite B  
Placentia, CA 92870  
TEL: +1-714- 996-7200

### Protech Japan Co., Ltd.

OSK Bldg, 6F, 6-25-14, Minami-ohi  
Shinagawa-ku, Tokyo, 140-0013  
TEL: +81-3-5753-8411

### PROX SYSTEMS Germany GmbH

Weststrasse 20a, 40721 Hilden  
düsseldorf, Germany  
TEL: +49 (0) 2103-41898-18