

TIP-070WT

7 Inch Embedded Touch Panel

GENERAL

TIP-070WT is Embedded Touch Panel product with the open-platform flexibility of the Windows® CE operating system.

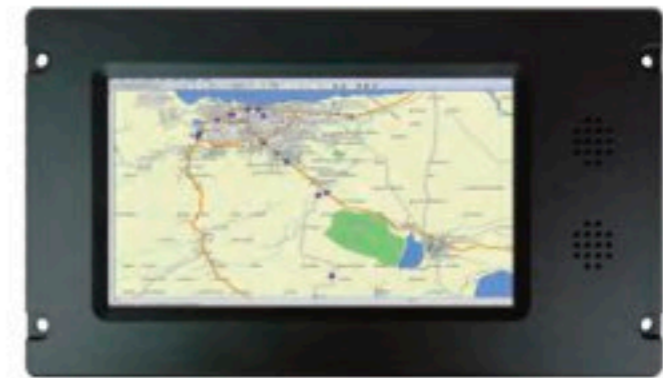
The unit can be used for applications with a need to monitor, control and display information such as EAP (Extension Alarm Panel) and any other monitoring required applications.

With Flush/Console mounting type the unit can be mounted on a bridge, an engineer-on-duty's cabin and all the popular industrial panels or specialized panels designed for rugged and marine environments.

The unit is equipped with 7" LCD touch display and designed for easy operation and supports various communication standards such as RS485, LAN and CAN.



<No Buzzer>



<Built-in Buzzer>

KEY FEATURES

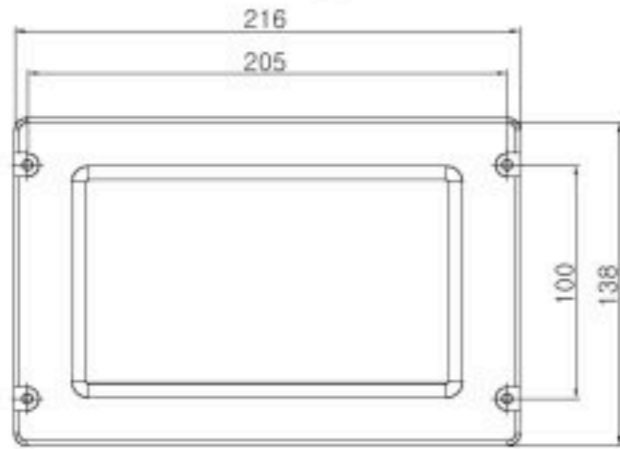
- S5PV210 (ARM Cortex A8) – 1GHz
- SDRAM 512MB
- NAND FLASH 512MB
- 7" TFT LCD Panel
- 800 (H) x 480 (V) Resolution
- Resistive Touch screen
- RS485, LAN, CAN Communication
- Power : 24VDC input (18~36VDC)

GENERAL FEATURE

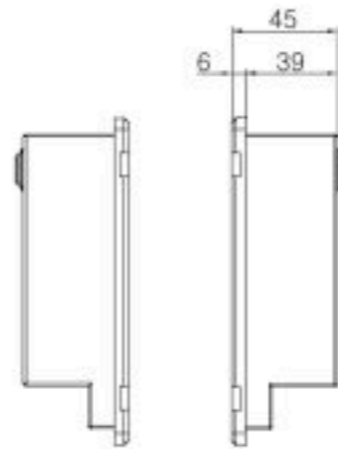
CPU	S5PV210 (ARM Cortex A8) - 1GHz
OS	Windows CE 6.0
Memory	SDRAM 512MB
Storage	NAND FLASH 512MB
Buzzer 1 (Optional)	Min. 85dB Buzzer (350~500Hz) built-in Internal Control
Buzzer 2 (Optional)	Min. 95dB Buzzer (3,200±500Hz) built-in External Control
I/O	2 x CAN 2.0 4 x RS-485 1 x RJ45 (10/100Mbps Ethernet) 2 x USB 2.0 Port 1 x Mini USB Port (Internal use only) 1 x Micro SD Card Slot
Viewable Size	7.0 Inch (Diagonal)
Active Area	154.08 (W) x 85.92 (H) mm
Resolution	800 x 480
Response Time	35ms
Brightness	400cd/m ²
Lamp Life	20,000 hrs
View Angle	R/L 70/70°, U/D 50/70°
Contrast Ratio	500:1
Touch Screen	4-Wire Resistive
Power Input	DC 24V (18~36VDC)
Power Consumption	12W (MAX)
Dimension / Weight	216 (W) x 138 (H) x 45 (D) mm / 1.10kg (No Buzzer) 241 (W) x 140 (H) x 45 (D) mm / 1.26kg (Built-in Buzzer)
Environmental Factors	Operation Temp : 0°C ~ 60°C / Storage Temp : -20°C ~ 80°C / Humidity : 0% ~ 95%
Certification	DNV

Embedded Touch Panel

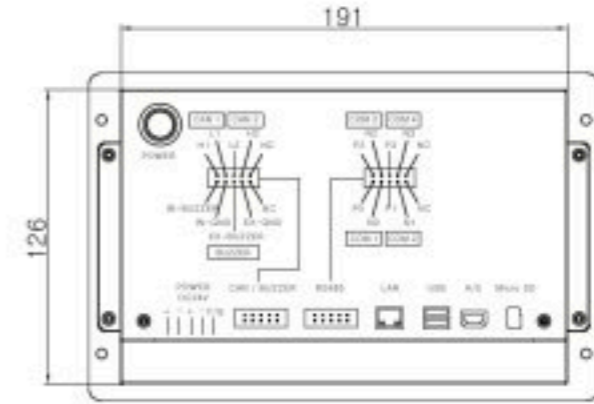
TIP-070WT (No Buzzer)



FRONT VIEW



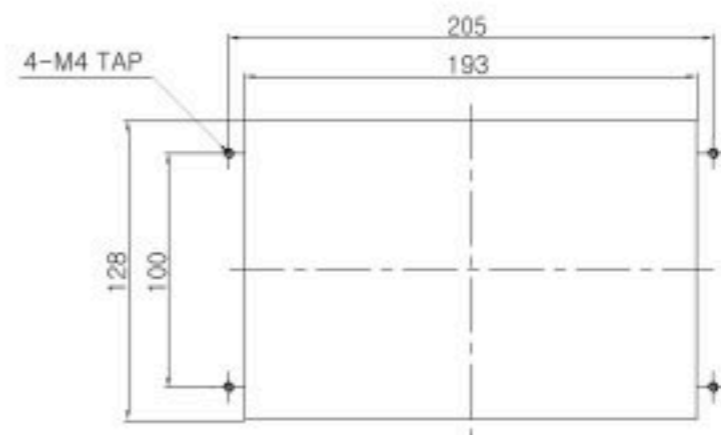
SIDE VIEW



REAR VIEW

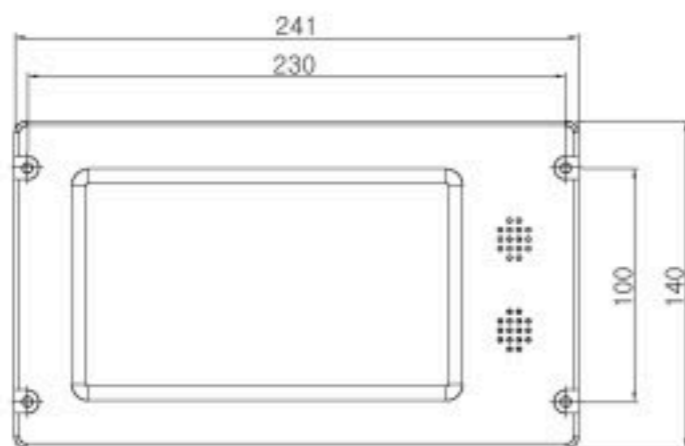


BOTTOM VIEW

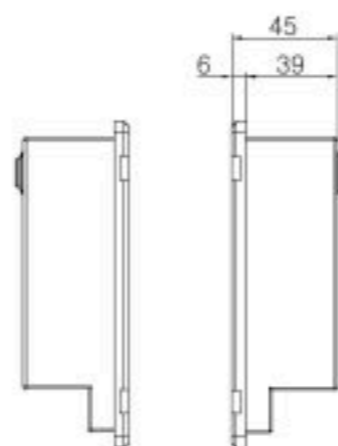


PANEL CUTTING

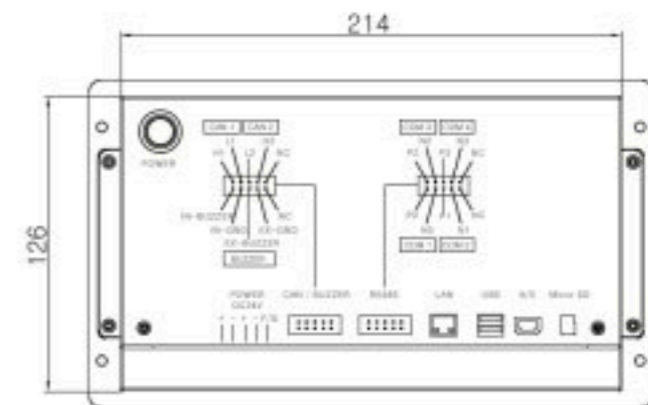
TIP-070WT (Built-in Buzzer)



FRONT VIEW



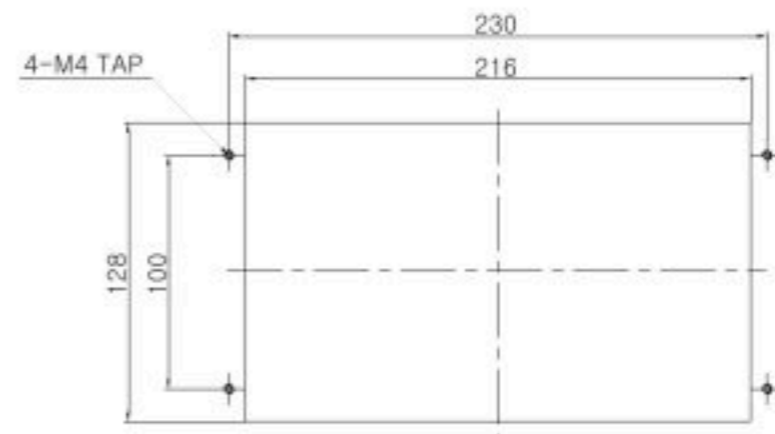
SIDE VIEW



REAR VIEW



BOTTOM VIEW



PANEL CUTTING

Tetradyne Co., LTD.

#604/605, E&C VENTURE DREAM TOWER II, 55,
DIGITAL-RO 33-GIL, GURO-GU, SEOUL, 08376, REP KOREA
Tel : +82-2-323-4972
E-mail : sales@tetradyne.co.kr
Web site : www.tetradyne.co.kr

Specifications and features are subject to change without notice.

All products names are trademarks or registered trademarks of Tetradyne.co.,Ltd.

Contact Point