

TIP-121NT

12.1 Inch Marine Panel PC

GENERAL

This specification defines the requirements for the TIP-121NT TFT LCD Display Panel PC with 1024 x 768 pixels visible resolution, which is designed and tailored for use in operator display and computer operating systems such as Marine computer applications.



KEY FEATURES

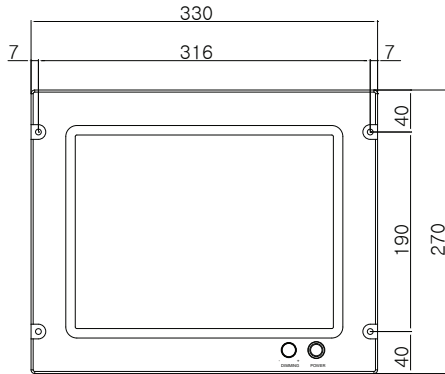
- 2nd Generation Intel® Core i3
- Color display 12.1" TFT LCD Monitor.
- 1024 x 768 resolutions.
- Resistive Touch screen.
- VGA, DP and HDMI Display.
- LAN Communication.
- Power range : 220VAC or 18VDC ~ 36VDC Input.
- LCD PANEL backlight unit : LED Backlight units.

GENERAL FEATURE

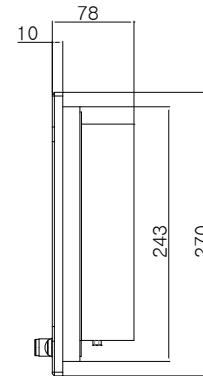
Section	Specifications
CPU	2nd Generation Intel Core i3-2310M (2.1GHz)
System Chipset	Intel QM67 Express
Memory	1 x 4GB Dual DDR3 SO-DIMM
Storage	1 x 128GB SSD
Graphic	Intel HD Intergrated Graphic Engine
LAN	1 x Intel 82579LM / 1 x RealTek RTL8111C Gigabit Network
I/O Connector	4 x USB 2.0 2 x COM Port Supported (COM1 RS-232/422/485, COM2 RS-232 Only) 2 x RJ45
Display Type	12.1" TFT LCD PANEL
Color	16.2 Million
Resolution	1024(H) x 768(V) Pixels
Active Area (Aspect Ratio)	245.76(H) x 184.32(V) (4:3)
Brightness	500cd/m ²
Contrast	700:1
View Angle (CR=5)	160°(R/L) / 160°(U/D) (Typ)
Response Time	35ms
Touch Type	5 - Wire Resistive Type
OS	Windows 7 Professional
Power Input	220VAC 50/60Hz or 18 ~ 36VDC
Power Consumption	100W(MAX)
Dimension	330(W) x 78(D) x 270(H) mm
Weight	3.98Kg (Net Weight)
Graphic Output Connector	VGA, HDMI, DP
Option	Memory - Up to 1 x 8GB Dual DDR3 SO-DIMM Storage - Up to 1 x SSD 1TB (1TB) OS - Windows XP, Windows XP Embedded, Windows 7 Embedded
Environmental Factors	Operation Temp : 0°C ~ 60°C / Storage Temp : -20°C ~ 80°C / Humidity : 0% ~ 95%
IP-Rating	IP65 Front
Certification	DNV

MARINE PANEL PC

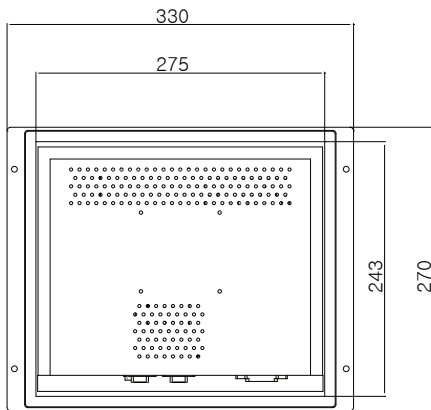
TIP-121NT



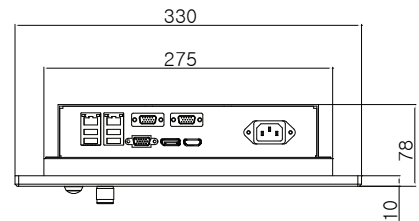
FRONT VIEW



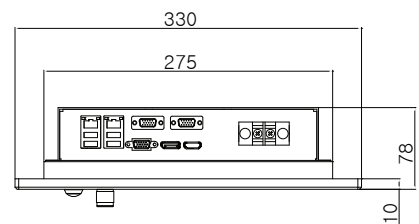
SIDE VIEW



REAR VIEW



BOTTOM VIEW(AC)



BOTTOM VIEW(DC)

Tetradyne Co., LTD.

#604/605, E&C VENTURE DREAM TOWER II, 55,
DIGITAL-RO 33-GIL, GURO-RU, SEOUL, 152-719, REP KOREA

Tel : +82-2-323-4972

E-mail : sales@tetradyne.co.kr

Web site : www.tetradyne.co.kr

Contact Point

Specifications and features are subject to change without notice.

All products names are trademarks or registered trademarks of Tetradyne.co.,Ltd.