

PPC

SP-6135 /
SP-6132 /
SP-6130 /
SP-6138

Fanless and Low Power 15"
/ 12.1" / 10.4" / 8.4" Intel®
N2800/D2550 processor Flat
touch Panel PC

Features and Benefits:

- Intel® N2800/D2550 processor on board
- Supports Intel® NM10
- Totally fanless and quiet design
- Support CFast slot
- Optional Wireless LAN module
- Support wide voltage DC in (9~36V)
- Aluminum front bezel



Protech Systems Co., Ltd.

No. 24, Lane 365, Yang Goang Street, Nei Hu
District Taipei 114, Taiwan
TEL: +886-2-8751-1111 FAX: +886-2-8751-1199
E-mail: sales@protech.com.tw
<http://www.protech.com.tw>

Protech Technologies Inc.

950 Fee Ana St, Suite B Placentia, CA 92870
TEL: +1-714-996-7200 FAX: +1-714-996-7300
Sales: sales@protech-usa.net
<http://www.protech-usa.net>

Protech Japan Co., Ltd.

OSK Bldg, 6F, 6-25-14, Minami-ohi Shinagawa-ku,
Tokyo, 140-0013
TEL: +81-3-5753-8411 FAX: +81-3-3763-9282
E-mail: sam@protech-j.com
<http://www.protech-j.com>

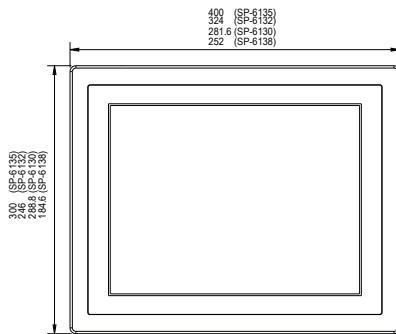


ISO CERTIFIED
9001 14001

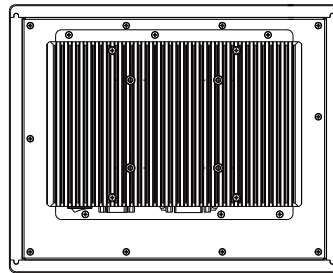
SP-6135 / SP-6132 / SP-6130 / SP-6138

Fanless and Low Power 15" / 12.1" / 10.4" / 8.4" Intel® N2800/D2550 processor
Flat touch Panel PC

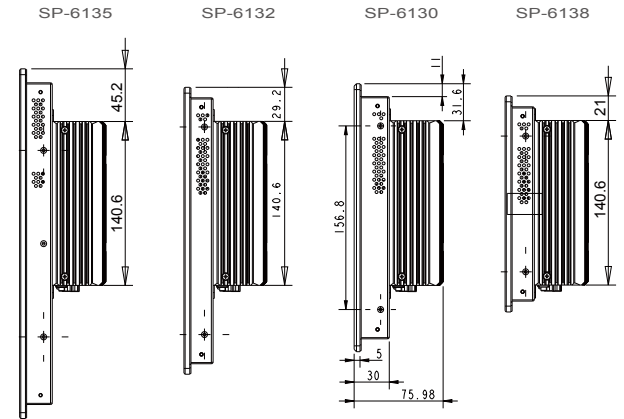
Front View



Rear View



Side View



Unit: mm

Specification

| Systems | |
|------------------------------|---|
| CPU Type | Intel® N2800/D2550 processor |
| Chipset | Intel® NM10 |
| Memory Support | 1 x DDR III SO-DIMM socket (memory up to 4GB) |
| Front Bezel | Aluminum |
| IP65 | Yes (for front panel only) |
| Power requirement | DC in 9~36V |
| O.S. Support | Win7(32-bit) |
| Dimension | SP-6135: 400 mm x 300mm x 74mm (15.75" x 11.81" x 2.91") SP-6132: 324mm x 246 mm x 71mm(12.76" x 9.69" x 2.80") SP-6130: SVGA Type - 281.6mm x 228.8 mm x 68.98mm (11.08" x 9" x 2.72") XGA Type - 281.6mm x 228.8 mm x 75.98mm (11.08" x 9" x 2.99") SP-6138: 252mm x 184.6mm x 71mm (9.92" x 7.27" x 2.8") |
| System Weight | SP-6135: 4.96Kg SP-6132: 3.55Kg SP-6130: 3.11Kg SP-6138: 2.69Kg |
| VESA Mounting Support | VESA 75 |
| Certificate | FCC / CE |

I/O Ports

| | |
|------------------------|---|
| USB | 2 x USB 2.0 |
| Audio | 1 x Line out, 1 x Mic-in |
| Serial Port | 2 x COM port (support +5V/ +12V/RI selectable), COM 2 for RS232/422/485 selectable |
| LAN | 2 x LAN (10/100/1000 Mbps) |
| DVI | 1 x DVI-I |
| Drive Bay | 1 x 2.5" SATA HDD |
| Expansion Slots | 1 x CFast slot, 1 x mini PCIe slot, 1 x SIM card slot |

Display

| | |
|---------------------|---|
| LCD | SP-6135: AUO 15" LED backlight LCD, resolution 1024 x 768 SP-6132: AUO 12.1" LED backlight LCD, resolution 1024 x 768 SP-6130: 10.4" SVGA or XGA LCD Panel SP-6138: AUO 8.4" LED backlight LCD, resolution 800 x 600 |
| Touch Screen | (ELO) 5W Analog resistive (USB interface) |

Environment

| | |
|------------------------|---|
| Operation Temp. | 0° ~ 45° C (32° ~ 113° F) (w/HDD)(with Airflow) 0° ~ 55° C (32° ~ 131° F) (w/Wide temperature CFast card) (w/o Audio)(with Airflow) |
| Storage Temp. | - 20° ~ 60° C (- 4° ~ 140° F) |
| Humidity | 20% ~ 90% |

Ordering Information

| | |
|------------------------|---|
| SP-6132RA-A0B | 12.1" fanless Intel® N2800 Panel PC, w/AUO 12.1" 1024 x 768 LCD / 5-Wire Flat touch |
| SP-6132RA-B0B | 12.1" fanless Intel® D2550 Panel PC, w/AUO 12.1" 1024 x 768 LCD / 5-Wire Flat touch |
| SP-6138RA-A0B | 8.4" fanless Intel® N2800 Panel PC, w/AUO 8.4" 800 x 600 LCD / 5-Wire Flat touch |
| SP-6138RA-B0B | 8.4" fanless Intel® D2550 Panel PC, w/AUO 8.4" 800 x 600 LCD / 5-Wire Flat touch |
| SP-6130RA-A0B | 10.4" fanless Intel® N2800 Panel PC, w/AUO 10.4" 800 x 600 LCD / 5-Wire Flat touch |
| SP-6130RA-B0B | 10.4" fanless Intel® D2550 Panel PC, w/AUO 10.4" 800 x 600 LCD / 5-Wire Flat touch |
| SP-6130RA-C0B | 10.4" fanless Intel® N2800 Panel PC, w/CPT 10.4" 1024 x 768 LCD / 5-Wire Flat touch |
| SP-6130RA-D0B | 10.4" fanless Intel® D2550 Panel PC, w/CPT 10.4" 1024 x 768 LCD / 5-Wire Flat touch |
| SP-6135RA-A0B | 15" fanless Intel® N2800 Panel PC, w/AUO 15" 1024 x 768 LCD / 5-Wire Flat touch |
| SP-6135RA-B0B | 15" fanless Intel® D2550 Panel PC, w/AUO 15" 1024 x 768 LCD / 5-Wire Flat touch |
| 52-002-11072302 | 72W, 24Vdc output power adaptor |

All of trademarks and brand names are the property of their owners. Trademark "Protech" is the property of Protech Systems Co., Ltd.
All information contained in this document is subject to change without any prior notice. This catalog is copyrighted in Aug. 2013.