

# POS



## POS-6511

Intel® Sandy Bridge Processor to Provide High Performance 15" POS Terminal

### Features and Benefits:

- Intel® Sandy Bridge CPU series processor high performance platform
- 15" LCD display with touch screen
- Flexible design for versatile applications
- Optional fingerprint module or i-Button for user identification & security control
- Optional horizontal or vertical MSR
- Optional Smart card reader
- Easy to be transformed to an ultra-slim panel PC – POS-6511-PPC
- Small Footprint



### Protech Systems Co., Ltd.

No. 24, Lane 365, Yang Goang Street, Nei Hu District Taipei 114, Taiwan  
 TEL: +886-2-8751-1111 FAX: +886-2-8751-1199  
 E-mail: sales@protech.com.tw  
<http://www.protech.com.tw>

### Protech Technologies Inc.

950 Fee Ana St, Suite B Placentia, CA 92870  
 TEL: +1-714- 996-7200 FAX: +1-714- 996-7300  
 Sales: sales@protech-usa.net  
<http://www.protech-usa.net>

### Protech Japan Co., Ltd.

OSK Bldg, 6F, 6-25-14, Minami-ohi Shinagawa-ku, Tokyo, 140-0013  
 TEL: +81-3-5753-8411 FAX: +81-3-3763-9282  
 E-mail: sam@protech-j.com  
<http://www.protech-j.com>

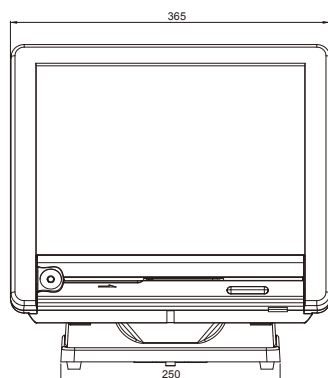
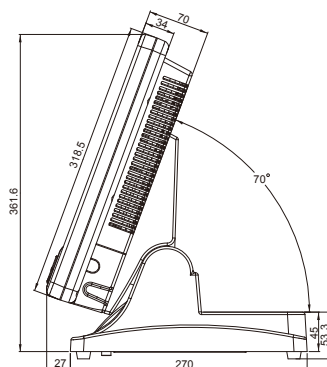
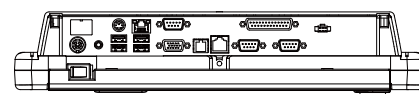


ISO CERTIFIED  
**9001 14001**



# POS-6511

## Intel® Sandy Bridge Processor to Provide High Performance 15" POS Terminal

**Front View**

**Side View**

**I/O View**


Unit: mm

**Specification**

System	
<b>CPU Support</b>	Intel® Celeron® Processor B810 (1.60 GHz) (up to Intel® Core i3-2330E 2.2GHz)
<b>Memory</b>	1GB DDR3 SO-DIMM (up to 4GB)
<b>Core Logic</b>	Mobile Intel® HM65 Express Chipset
<b>Network</b>	10/100/1000Base-T Fast Ethernet
<b>Power Supply</b>	72W~120W Power adapter
<b>System Weight</b>	9.5 kg
<b>Dimension (W x H x D)</b>	365 x 363 x 297 mm (14.37" x 14.29" x 11.69")
<b>O.S. Support</b>	Windows XP / 7, POSReady7, POSReady 2009

**Storage**

<b>HDD</b>	1 x 2.5" SATA HDD
<b>SSD</b>	over or equal 16GB
<b>CF</b>	1 x bootable Compact Flash slot for CF type I/II storage

**I/O Ports**

<b>USB</b>	4 x USB 2.0 port , 1xUSB 2.0 port on side
<b>Serial Ports</b>	3 x DB-9 (COM 1/2/3), 1 x RJ45 (COM 4), +5/12V Selectable
<b>Parallel Port</b>	1 x parallel port (SPP / EPP / ECP)
<b>Keyboard &amp; Mouse</b>	1 x PS/2 port
<b>LAN</b>	1 x 10/100/1000 Mbps
<b>Audio</b>	1 x Line-out audio jack

<b>VGA</b>	1 x DB-15 VGA interface
<b>Cash Drawer</b>	1 x RJ11 port for 12V/24V Cash drawer

**Display**

<b>LCD</b>	15" TFT LCD
<b>Max. Resolution</b>	1024 x 768
<b>Brightness</b>	250 cd/m <sup>2</sup>
<b>Touch Screen</b>	5-wire Analog resistive
<b>Tilt Angle</b>	0 ~ 70 degree

**Environment**

<b>EMC &amp; Safety</b>	CE, FCC,
<b>Operating Temp.</b>	0 ~ 35° C
<b>Storage Temp.</b>	-20 ~ 60° C
<b>Humidity</b>	20 ~ 90%

**Ordering Information**

<b>PA-6056RA-A0B</b>	POS-6511, barebone, Black, ELO resistive touchscreen
<b>PA-6056RZ-21A</b>	DDR3 1GB Memory /2.5" HDD
<b>PA-6055RZ-35B</b>	Horizontal MSR Module (ID TECH PS2 interface)
<b>PA-6053RZ-9EB</b>	Vertical MSR module (ID TECH PS2 interface)
<b>PA-6052RZ-72B</b>	Rear-mount VFD kit
<b>PA-6055RZ-61A</b>	Embedded wireless module (802.11b/g)
<b>PA-6055RZ-62B</b>	vertical RFID module, ISO14443A( USB interface)
<b>PA-6052RZ-71B</b>	10.4" 2nd display

All of trademarks and brand names are the property of their owners. Trademark "Protech" is the property of Protech Systems Co., Ltd. All information contained in this document is subject to change without any prior notice. This catalog is copyrighted in May 2012.