

POS



PA-3053

The High Performance POS Terminal

Features and Benefits:

- Intel® Sandy Bridge Core i3-2120 CPU
- 15" LCD display with ELO touchscreen
- Flexible design for versatile applications
- Optional MSR, i-Button & fingerprint & RFID module
- Optional 2nd LCD display
- Small footprint



Protech Systems Co., Ltd.

No. 24, Lane 365, Yang Goang Street, Nei Hu District Taipei 114, Taiwan
TEL: +886-2-8751-1111 FAX: +886-2-8751-1199
E-mail: sales@protech.com.tw
<http://www.protech.com.tw>

Protech Technologies Inc.

950 Fee Ana St, Suite B Placentia, CA 92870
TEL: +1-714- 996-7200 FAX: +1-714- 996-7300
Sales: sales@protech-usa.net
<http://www.protech-usa.net>

Protech Japan Co., Ltd.

OSK Bldg, 6F, 6-25-14, Minami-ohi Shinagawa-ku, Tokyo, 140-0013
TEL: +81-3-5753-8411 FAX: +81-3-3763-9282
E-mail: sam@protech-j.com
<http://www.protech-j.com>

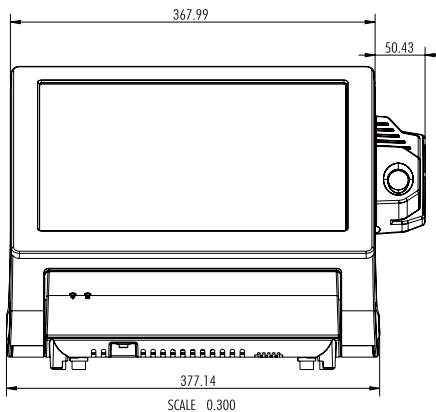


ISO CERTIFIED
9001 14001

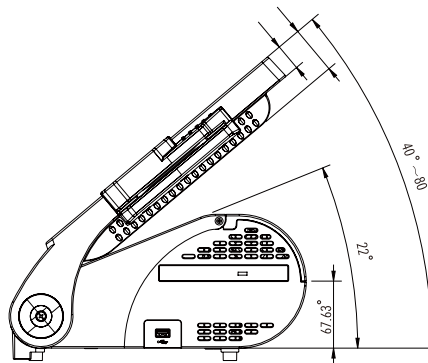
PA-3053

The High Performance POS Terminal

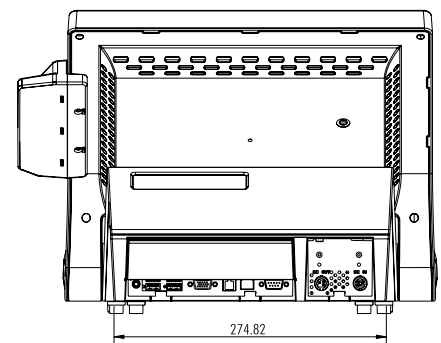
Front View



Side View



Rear View



Unit: mm

Specification

System

CPU Support	Intel® Sandy Bridge CPU series Core i3-2120 3.3 GHz, L2 Cache-3MB Pentium G850 2.9GHz, L2 Cache-3MB Celeron G540 2.5GHz, L2 Cache-2MB
Memory	1 x DDR3 SO-DIMM Slot (up to 8GB)
Core Logic	Intel® H61
Network	10/100/1000 Base-T Fast Ethernet
Power Supply	150 Watt power inside
System Weight	8.3 kg
Dimension (W x H x D)	385 x 313 x 188 mm
O.S. Support	POSReady2009 /POSReady7 /WES2009 /WES7

Storage

HDD	1 x 2.5" SATA HDD
SD/MMC	1 x SATA half-slim type SSD
CF	Bootable Compact Flash slot for CF type I/II storages

I/O Ports

USB	4 x USB 2.0 ports / 1 x USB 2.0 on side bezel
Serial Ports	3 x DB-9 (COM 2/3/4), 1 x RJ45 (COM 1), +5V/12V selectable
PS/2	1 x PS/2 ports (default at keyboard)
LAN	1 x RJ-45
VGA	1 x DB-15 VGA interface
Cash Drawer	1 x RJ11 (+12V or +24V selectable)(default at +12V)
AC in	for power cord plug
Line out	1 x phone jack

Display

LCD	15" TFT LCD
Max. Resolution	1024 x 768
Brightness	250 cd/m ²
Touch Screen	5-wire Analog resistive
Tilt Angle	40~80 degrees

Environment

EMC & Safety	CE / FCC
Operating Temp.	0 ~ 35° C
Storage Temp.	-20 ~ 60° C
Humidity	20 ~ 90%

Ordering Information

PA-3053RA-A0B	PA-3053 barebone, Black, ELO resistive touchscreen & 150 W power
52-210-58000027	Intel Celeron G530,2.40 GHz CPU
PA-3051RZ-24A	DDR3 2GB Memory /2.5" HDD
PA-3050RZ-83B	PS2 MSR(ID tech)
PA-3050RZ-31B	VFD Customer Display
PA-3050RZ-41A	Slim DVD ROM
PA-3100RZ-81A	Wireless module (802.11b/g)
PA-3050RZ-87B	Vertical Fingerprint(USB) module
PA-3050RZ-95B	8.4" 2 nd Display
OS	POSReady2009 /POSReady7 /WES7

All of trademarks and brand names are the property of their owners. Trademark "Protech" is the property of Protech Systems Co., Ltd. All information contained in this document is subject to change without any prior notice. This catalog is copyrighted in May, 2012.