

PA-6225

NEW



The 15" Waterproof Bezel Free Touch POS Terminal



Features

- True Fanless Design with Intel® Celeron® J1900 CPU
- Aluminum Die Casting Backcover
- 15" True Flat Touch Screen
- IP54 Housing Design without Holes Exception I/O Area
- All-in-One Slim Design
- Small stand with Integrated Power Adapter
- HDD Easy Maintenance Design
- Optional MSR / i-Button / Fingerprint / VFD / 2nd Display
- Optional integrated Wireless LAN
- Wall-mountable VESA 75 x 75 or 100 x 100 Standard



Specifications

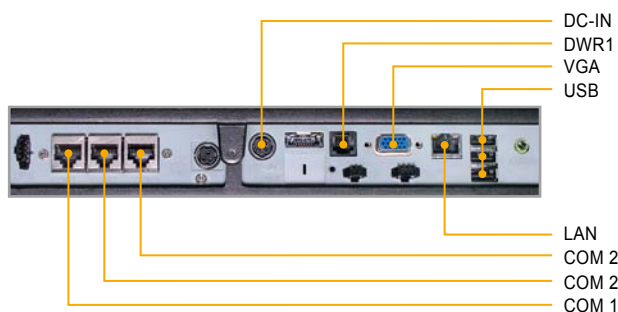
System	CPU Support	Intel® Celeron® J1900	
	Memory	DDR3L SO-DIMM (1 slot, up to 8GB)	
	Network	10/100/1000 Base-T Fast Ethernet	
	Power Supply	72~120 Watt power adapter	
	Audio	2W speaker	
	System Weight	with power adaptor approx. 8 kg	
	Dimension	377 x 318 x 240 mm	
	O.S. Support	Win8 / POSReady7	
Storage	SATA	1 x 2.5" HDD or SSD	
	USB	4 x USB on rear, 1 x USB on side bezel	
	Serial Ports	3 x RJ45, 1 xRJ45 (+5V/12V selectable)	
	LAN	1 x RJ45	
	VGA	1 x DB15	
	Line Out	1 x phone jack	
	Cash Drawer	1 + 1(option, with Y cable) x RJ11 (+12V or +24V selectable)	
I/O Ports	DC-in	1 x 4pin DC Power Jack	
	Peripheral	Customer Display	VFD, 20 columns and 2 lines, each column is 5 x 7 dots
		Printer	2" or 3" easy loading thermal printer with Auto cutter
		MSR & iButton	JIS-I or II, ISO Track1+2+3 (PS/2 interface)
		2 nd Display	8" or 10.4" LCD
		Fingerprint	8-bit grayscale, reader
		RAID	RAID 1
Display		LCD	15" TFT LCD
	Resolution	1024 x 768	
	Brightness	250 cd/m ²	
	Touch Screen	Bezel-Free 5-wire Analog resistive or Projected Capacitive	
Environment	EMC & Safety	CE / FCC	
	Operating Temp.	0 ~ 35° C	
	Storage Temp.	-5 ~ 60° C	
	Humidity	20 ~ 90%	

*All information contained in this document is subject to change without prior notice. Please log on www.protech.com.tw to acquire latest information.

Highlights



System I/O Ports



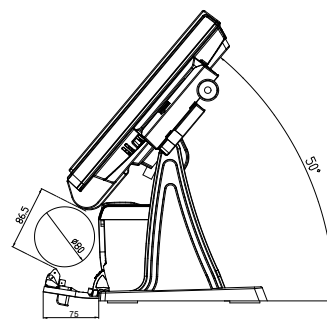
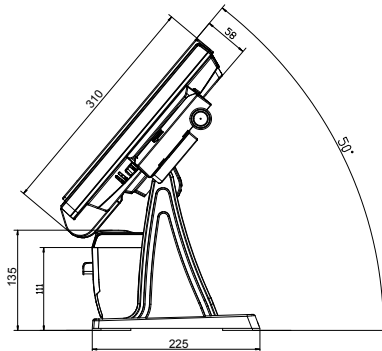
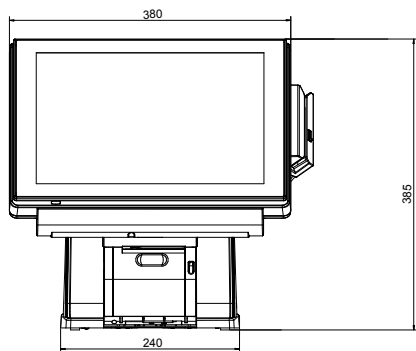
Ordering Information

Order No	Description
PA-6225RC-A0B	Intel® Celeron® J1900 with Waterproof design and True Flat Resistive Touch, 72W Power Adaptor
PA-3251RZ-2JA	DDR3 2GB memory /2.5" HDD
PA-3151RZ-51B	MSR, JIS-I or II, ISO Track1+2+3 (PS/2 interface)
PA-6151RZ-41B	Vacuum Fluorescent Display, 20 columns and 2 lines, each column is 5 x 7 dots
PA-6151RZ-43B	10.4" 2nd Display (800 x 600)
Color	Black
OS	Win8, POSReady7

Applications

- Hospitality
- Foodservice

Dimensions



unit: mm

Protech Systems Co., Ltd.

No. 24, Lane 365, Yang Goang Street,
Nei Hu District Taipei 114, Taiwan R.O.C.
TEL: +886-2-8751-1111

Protech Technologies Inc.

950 Fee Ana St, Suite B
Placentia, CA 92870
TEL: +1-714-996-7200

Protech Japan Co., Ltd.

OSK Bldg, 6F, 6-25-14, Minami-ohi
Shinagawa-ku, Tokyo, 140-0013
TEL: +81-3-5753-8411

PROX SYSTEMS Germany GmbH

Weststrasse 20a, 40721 Hilden
düsseldorf, Germany
TEL: +49 (0) 2103-41898-18