

# PMD

## MM-7017

**17" All-in-One Fanless Slim Medical Panel PC with Intel® Atom™ Dual Core D2550 1.86GHz**

### Features and Benefits:

- Support Intel® Low Power Atom™ D2550 1.86 GHz Dual Core CPU (Reserved for N2600, N2800 Co-Layout)
- 17" high contrast and high lifetime TFT LCD with LED backlight (SXGA 1280 x 1024 Resolution)
- Stylish ID and Easy Maintenance (Fanless/ Zero Noise/ Slim / IP65 Protection Front Panel Design/HDD Easy Maintenance/ Memory Easy Maintenance/ Easy Cleaning)
- Support 5-wire Bezel Free Resistive Touch Screen or Projected capacitive Touch Screen
- Flexible and Stylish Design for versatile application in hospital such as Nursing Cart, Point-of-Care Terminal, Hospital Information Inquiry System(KIOSK), Bedside Healthcare Infotainment Terminal. (Optional 2.0 M pixel CMOS Camera module & 802.11 b/g/n Wireless Lan module & Smart card Reader/ MSR module & RFID module & Bluetooth module & VoIP Phone module & 1D/2D Barcode scanner module)
- Medical Certification: CE/FCC Class B (EN60601-1-2), EN/UL60601-1 and Isolated for COM Port



### Protech Systems Co., Ltd.

No. 24, Lane 365, Yang Goang Street, Nei Hu District Taipei 114, Taiwan  
TEL: +886-2-8751-1111 FAX: +886-2-8751-1199  
E-mail: sales@protech.com.tw  
<http://www.protech.com.tw>

### Protech Technologies Inc.

950 Fee Ana St, Suite B Placentia, CA 92870  
TEL: +1-714- 996-7200 FAX: +1-714- 996-7300  
Sales: sales@protech-usa.net  
<http://www.protech-usa.net>

### Protech Japan Co., Ltd.

OSK Bldg, 6F, 6-25-14, Minami-ohi Shinagawa-ku, Tokyo, 140-0013  
TEL: +81-3-5753-8411 FAX: +81-3-3763-9282  
E-mail: sam@protech-j.com  
<http://www.protech-j.com>

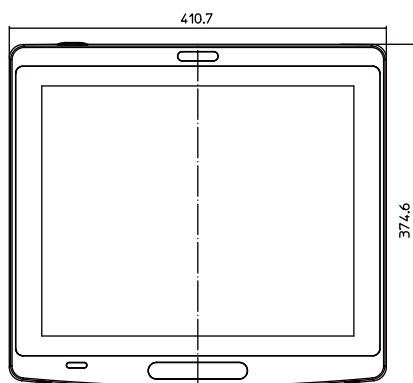


**ISO CERTIFIED**  
**9001 | 14001**

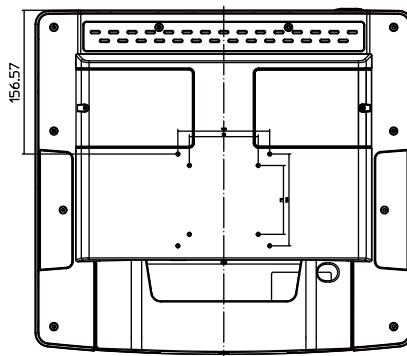
# MM-7017

17" All-in-One Fanless Slim Medical Panel PC with Intel® Atom™ Dual Core D2550 1.86GHz

Front View



Rear View



Side View



Unit: mm

## Specification

### Systems

<b>CPU Type</b>	Intel® Atom™ D2550 1.86 GHz Dual Core(10W); Reserved for N2600,N2800 Co-Layout
<b>Chipset</b>	Intel® NM10
<b>Memory</b>	N2600 1x DDR3 SO-DIMM socket up to 1067 MHz, up to 2GB ; N2800& D2550 2x DDR3 SO-DIMM socket up to 1067 MHz, up to 4GB
<b>Display</b>	17" SXGA1280 x 1024 LCD with LED backlight; 350 nits, Max color up to 16.7M, Contrast 700:1, Life cycle 50000 hrs
<b>Graphics</b>	Intel® Atom™ Cedarview D2550
<b>Touch Screen</b>	5-wire Bezel Free Resistive Touch Screen or Projected capacitive Touch Screen
<b>Drive Bay</b>	1 x 2.5" SATA HDD, 1x SATA SSD(Optional)
<b>Wireless Lan</b>	802.11 b/g/n (Mini-PCIe interface)
<b>Speakers</b>	2 x 2 W
<b>Other Function</b>	OSD (LCD On/off, Light +,-, Audio +,-, Function key for reserved) Power On/Off LED/Emergency Alarm LED 2 megapixel Camera Mini DIMM for PS/2 Keyboard & Mouse Optional 2.0 M pixel CMOS Camera module & 802.11 b/g/n Wireless Lan module & Smart card Reader/ MSR module & RFID module & Bluetooth module & VoIP Phone module & 1D/2D Barcode scanner module
<b>IP65</b>	Yes (for front panel only)
<b>Power Supply</b>	Medical Grade Adapter ( AC 100V~240V input ,DC 24V)
<b>O.S. Support</b>	Windows 7 / Linux
<b>Dimension(WxHxD)</b>	410.7 x 374.6 x 62 mm
<b>System Weight</b>	5.95 kg
<b>VESA Mounting Support</b>	75 mm / 100 mm VESA bracket (optional)
<b>Certificate</b>	Medical Certification: CE/FCC Class B(EN60601-1-2), EN/UL60601-1
<b>I/O Ports</b>	6 x USB 2.0 (a)3 ports for IO Port(USB0, USB1, USB2); (b)3 ports for internal wafer(USB3 for VoIP Phone, USB6 for Camera, USB7 for Bluetooth)

### Serial Port

4 x COM Port with RI/5V/12V  
(a) 2 ports with isolated design for I/O Port (COM1 for RS-232, COM2 for RS-232/422/485)  
(b) 2 ports for internal wafer(COM3 for external MSR/Smart Card module, COM4 for external RFID module or 1D/2D Barcode scanner module)  
COM3 for Smart Card/RFID module, COM4 for Reserved)

### LAN

2 x LAN (10/100/1000 Mbps)

### Audio

Line-out, MIC-in

### Drive Bay

1 x 2.5" SATA HDD, 1x SATA SSD(Optional)

### VGA

1 x VGA

### Expansion Slots

1 x Mini-PCIe interface  
(1 port for for Wireless Lan or 3G module)

## Display

### LCD

17" SXGA TFT LCD

### Touch Screen

5-wire Bezel Free Resistive Touch Screen or Projected capacitive Touch Screen(USB interface)

## Environment

### Operation Temp.

0° ~ 40° C (32° ~ 104° F)

### Storage Temp.

- 20° ~ 60° C (- 4° ~ 140° F)

### Humidity

20% ~ 90%

## Ordering Information

### MM-7017RA-11P

HSF, 17" SXGA 1280x 1024 Medical Panel PC with Intel® Atom™ D2550 1.86 GHz Dual Core CPU/2GB DDR3 Memory / 2.5" 320GB SATA HDD/ 105 W Medical Power Adapter/ Bezel Free Resistive Touch

### MM-7017RA-21P

HSF, 17" SXGA 1280x 1024 Medical Panel PC with Intel® Atom™ D2550 1.86 GHz Dual Core CPU/2GB DDR3 Memory/2.5" 320GB SATA HDD/ 105 W Medical Power Adapter/ Bezel Free Projected Capacitive Touch

All of trademarks and brand names are the property of their owners. Trademark "Protech" is the property of Protech Systems Co., Ltd. All information contained in this document is subject to change without any prior notice. This catalog is copyrighted in Dec. 2012.