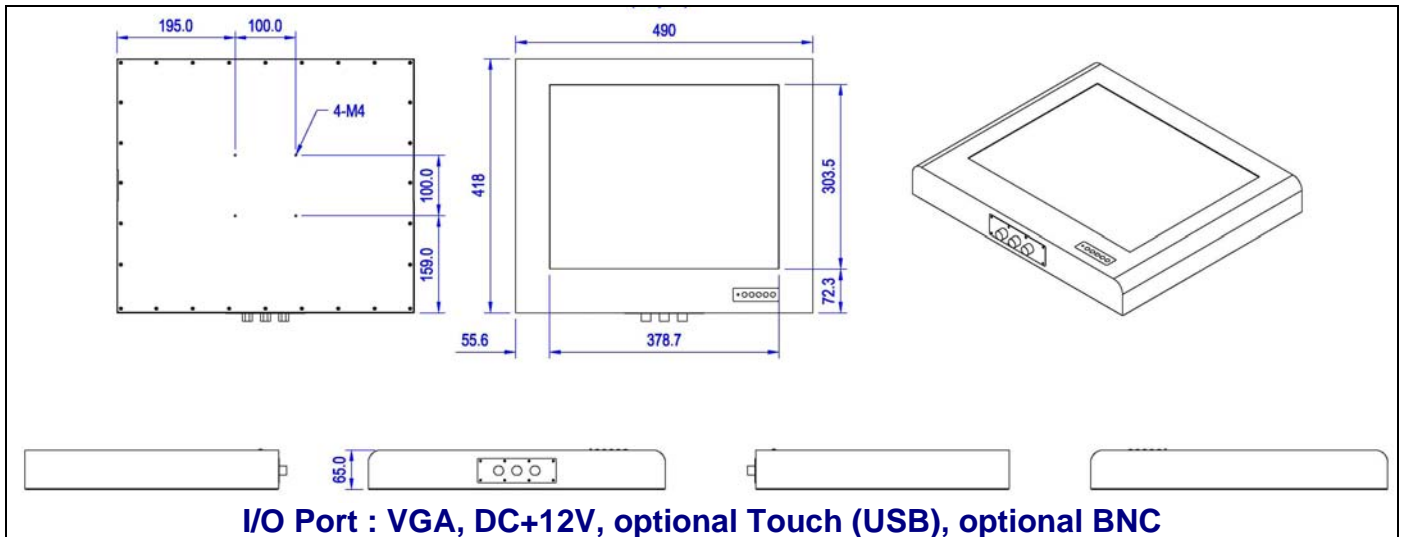


LCM-190T-RSS-IP (19" Stainless Steel Waterproof Touch Monitor)

17" 6-Side fully water-proof LCD monitor, rugged stainless steel enclosure, touchscreen or optional protection glass, VGA interface, DC+12V (or optional 24V), external AC90~264V power adapter



Material of Enclosure

Rugged stainless steel construction.

IP Rating

6-Side fully water-proof enclosure meet IP65, NEMA-4, NEMA-4X water-resist ratings

Mounting

Support water-proof VESA-75 wall mount

Option: Wall-mount Kit is available at extra cost

LCD size

19" TFT LCD color display

LCD Resolution

1280 x 1024 resolution

Luminance

300 cd/m² high brightness

Option: 800~1000 cd/m² sun-readable display for extra cost

Number of Color (color depth)

16.7 million true colors.

View Angle

Left and right: 85 / 85

Top and bottom: 80 / 80

Life of lamp tubes

40,000 hours

I/O Port

- VGA Port: water-proof military circular VGA port
- Optional BNC port
- DC+12V military connector
- Touch connector: RS232 interface

DC Power connector

DC+12V Water-proof military circular connector

Option: DC+24~28V at extra cost

AC Power Adapter

External AC90~264V power adapter

OSD and On-Off control buttons

Water and dust proof OSD and On-Off switch control buttons located at the bottom center of the front bezel.

Dimming Range

Dimming range is from 100% down to 0% for marine application

Environmental

Meet following standards:

MIL-STD-810F, 810G Vibration

MIL-STD-810F, 810G Shock

MIL-STD-810F, 810G Operating High temperature

MIL-STD-810F, 810G Operating Low temperature

MIL-STD-810F, 810G Storage High temperature

MIL-STD-810F, 810G Storage Low temperature

CE, FCC, RoHS compliant

Order information:

LCM-190-RSS-IP

Without Touch, stainless steel enclosure, 6-Side fully water-proof, all military water-proof connectors

LCM-190T-RSS-IP

Same as above, but with Touch-screen

LCM-190T-RSS-IP-SUN

With Touchscreen, stainless steel enclosure, 6-Side fully water-proof, all military water-proof connectors
With Sun-readable display (800~1200 cd/m²)