



KS230-CD



Features

- 7" WVGA Touch Screen Fanless Panel PC
- Intel® NM10 Express chipset
- IP65 front panel protection
- 1 2.5" SATA drive bay, 1 CF
- VESA/Panel Mount

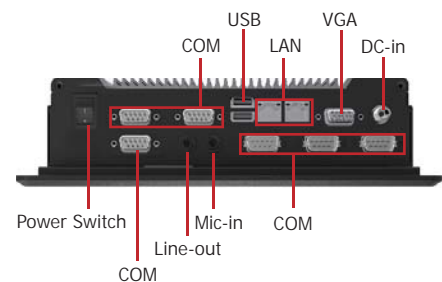


Panel



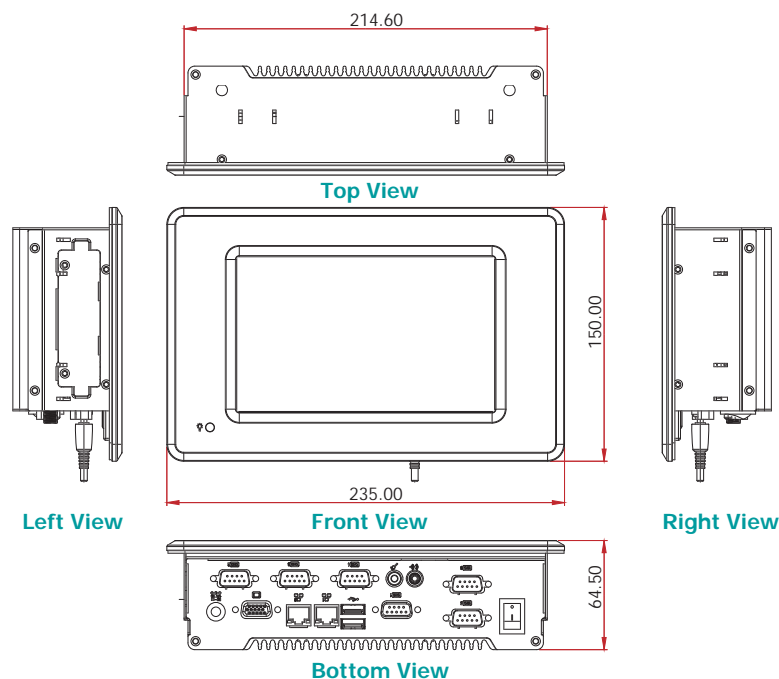
Power LED

Front View



Bottom View

Dimensions



KS230-CD

Specifications

PROCESSOR

- Intel® Atom™ N2800, 1.86GHz, 2x 512K L2, 6.5W TDP, dual-core
- Intel® Atom™ N2600, 1.6GHz, 2x 512K L2, 3.5W TDP, dual-core

CHIPSET

- Intel® NM10 Express chipset

MEMORY

- One 204-pin DDR3 SODIMM socket
- Supports DDR3 1066MHz (Intel® Atom™ N2800)
Supports DDR3 800MHz (Intel® Atom™ N2600)
- Supports single channel memory interface
- Supports up to 4GB system memory (Intel® Atom™ N2800)
Supports up to 2GB system memory (Intel® Atom™ N2600)

LCD and TOUCH SCREEN

- 7" (800x480) WVGA TFT touch screen LCD
- 4-Wire Resistive touch screen or projected capacitive touch screen (option)
- 50,000 MTBF LED backlight
- 400 NITS

STORAGE

- 1 2.5" SATA drive bay
- 1 CompactFlash socket

GRAPHICS

- Intel® GMA 3650 (Intel® Atom™ N2800)
Intel® GMA 3600 (Intel® Atom™ N2600)
- Display port: VGA
- VGA display resolution up to 1920x1200

ETHERNET

- 2 Intel® 82574 Gigabit Ethernet Controllers
- Integrated 10/100/1000 transceiver
- Fully compliant with IEEE 802.3, IEEE 802.3u, IEEE 802.3ab

AUDIO

- Realtek ALC886 2-channel High Definition Audio

I/O PORTS

- Front
 - 1 Power LED
- Bottom
 - 1 DB-9 RS232/422/485 serial port
 - 5 DB-9 RS232 serial ports
 - 2 Type A USB 2.0/1.1 ports
 - 1 DB-15 VGA port
 - 2 RJ45 LAN ports
 - 1 Line-out jack
 - 1 Mic-in jack
 - 1 12V DC-in jack
 - 1 power switch

EXPANSION SLOTS

- 1 Mini PCIe slot
 - Supports PCIe (PCIe and USB signals) or mSATA module
 - Supports half size card
- 1 CompactFlash socket

ENVIRONMENT

- Temperature
 - Operating: -20°C ~ 50°C (with SSD)
 - Operating: -20°C ~ 40°C (with HDD)
 - Storage: -30°C ~ 80°C
- Relative Humidity
 - 85% RH at 40°C

VIBRATION

- Sweep frequency: 10~500~10Hz
- Amplitude: 0.75mm
- IEC 68-2-64 compliant

SHOCK

- Operating: 3G peak acceleration (11 msec. duration)
- Non-operating: 10G peak acceleration (11 msec. duration)
- IEC 68-2-27 compliant

FRONT PANEL PROTECTION

- IP65 (Dust Tight; Water Proof protection)

CONSTRUCTION

- Aluminum front bezel
- Rear panel: sheet metal

MOUNTING

- Wall mount (VESA 75x75)
- Panel mount (Mounting clamp)

DIMENSIONS

- 235mm x 150mm x 64.5mm (W x H x D)

WEIGHT

- TBD

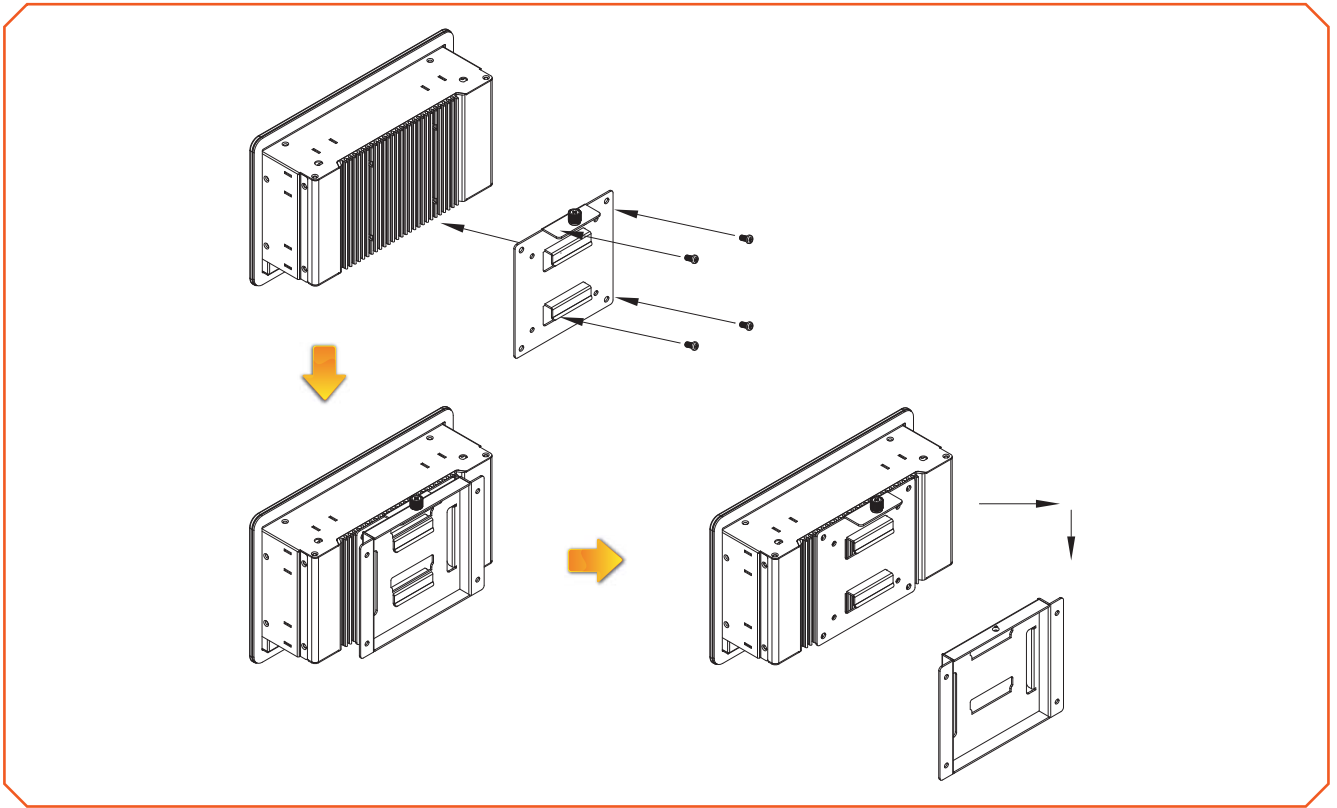
OS SUPPORT

- Windows XP Professional and Windows XP Embedded
- Windows XP x64 (64-bit)
- Windows 7 and Windows 7 Embedded
- Windows Vista
- Linux Kernel

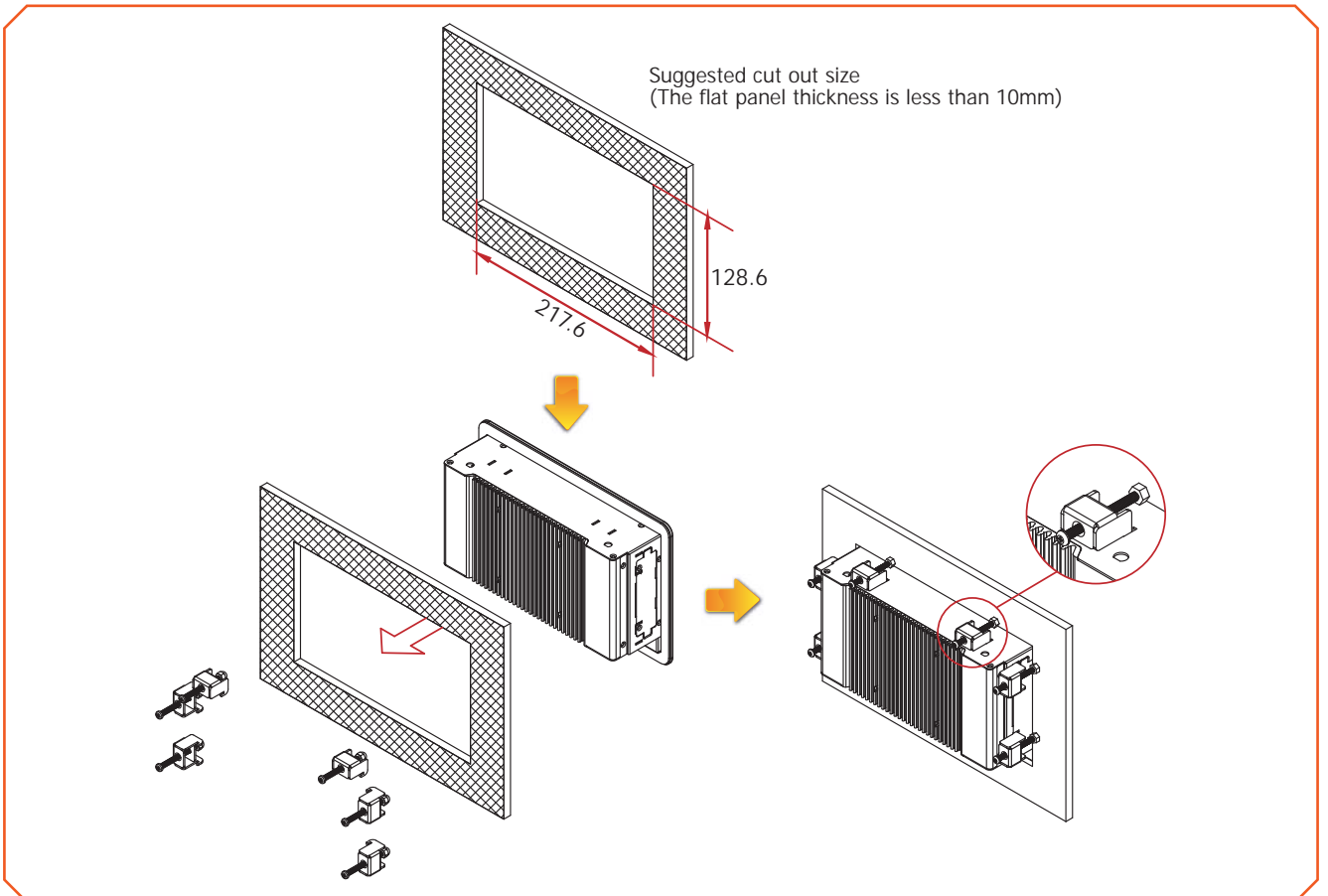


KS230-CD

▶ Wall Mounting



▶ Panel Mounting



KS230-CD

► Ordering Information

Model Name	Part Number	Description
KS230-CD2800P	750-KS2300-300G	7" Panel PC, Intel® Atom™ N2800, Capacitive Touch Screen
KS230-CD2800R	750-KS2300-000G	7" Panel PC, Intel® Atom™ N2800, 4-Wire Resistive Touch Screen
KS230-CD2600P	750-KS2300-100G	7" Panel PC, Intel® Atom™ N2600, Capacitive Touch Screen
KS230-CD2600R	750-KS2300-200G	7" Panel PC, Intel® Atom™ N2600, 4-Wire Resistive Touch Screen

► Optional Items

Optional Items	Part Number	Description
Memory	785-RSOD34G	SODIMM, DDR3, 4GB, RoHS
	785-RSOD32G	SODIMM, DDR3, 2GB, RoHS
HDD	785-H25500G	2.5" SATA HDD, 500GB, RoHS
	785-H25320G	2.5" SATA HDD, 320GB, RoHS
	785-S25128G	2.5" SATA SSD, 128GB MLC, RoHS
	785-S25064G	2.5" SATA SSD, 64GB MLC, RoHS
	785-S25032G	2.5" SATA SSD, 32GB MLC, RoHS
mSATA	785-MS16GMH	mSATA Card, 16GB MLC, RoHS
	785-MS08GMH	mSATA Card, 8GB MLC, RoHS
	785-MS04GMH	mSATA Card, 4GB MLC, RoHS
Wi-Fi	761-110090-000G	Wi-Fi kit
Power Cord	785-PWRD	Power cord, Standards (USA/EUR/CH), 1.8m, RoHS
Power Adapter	671-106002-102G	60W, 12V/5A
	671-106005-000G	60W, 19V/3.5A
Panel Mount	761-KS2020-000G	7" Panel PC Panel Mount Kit, RoHS
Wall Mount	785-PPCWMK	Standard Panel PC Wall Mount kit

► Packing List

• 1 KS230-CD Touch Panel PC
• 1 12V power adapter
• 1 Quick Installation Guide
• 1 CD disk includes:
- Manual