



DS910-OT

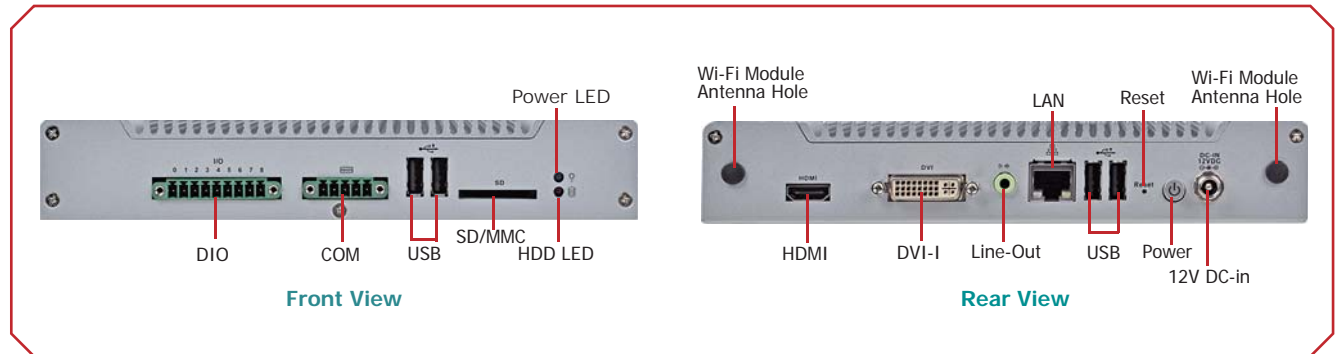


► Features

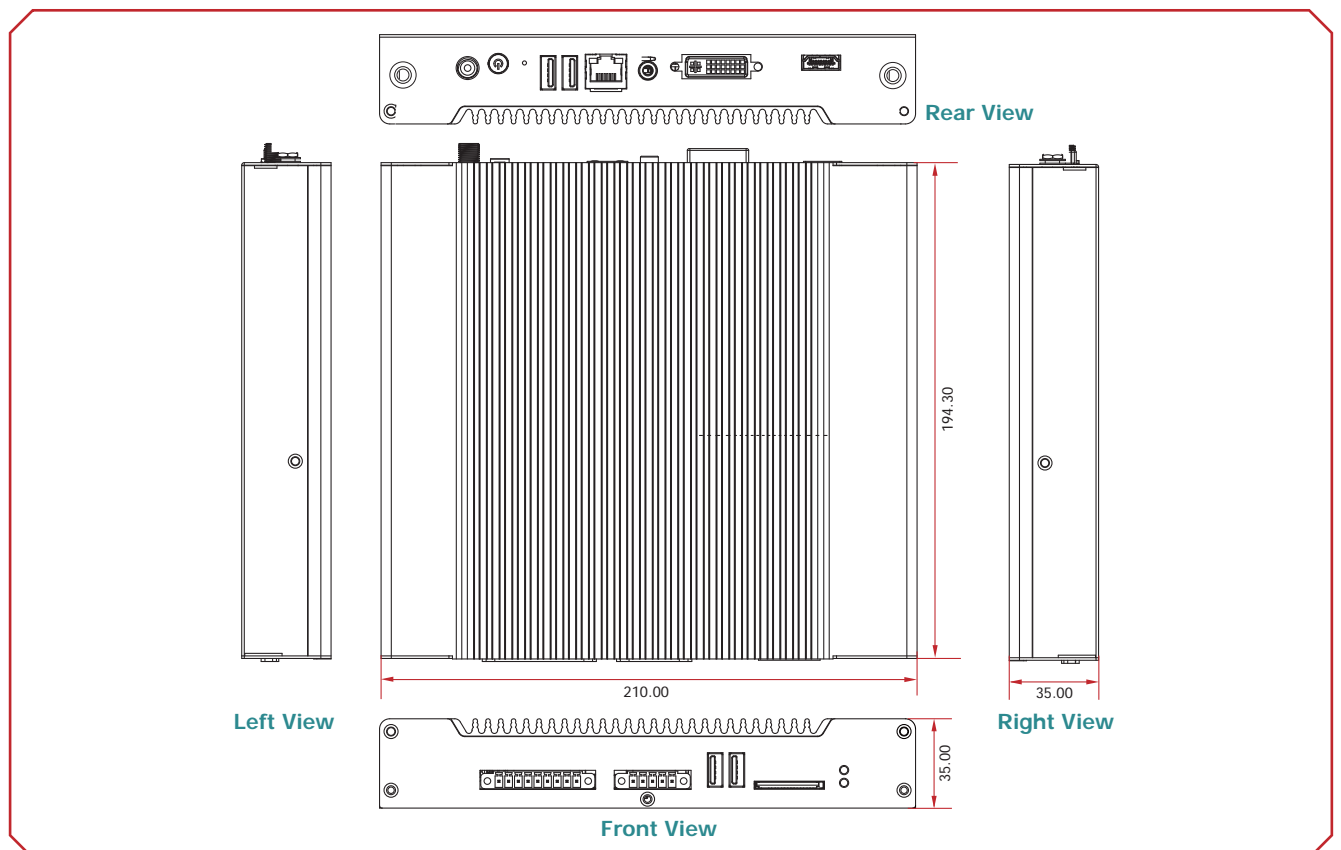
- Dual display output
- Supports DDR3 SODIMM; up to 16GB
- 1 2.5" SATA drive bay, 1 SD/MMC
- Supports mSATA via a Mini PCIe slot
- 1 LAN, 1 DVI-I, 1 HDMI, 4 USB, 1 COM, 1 Line-out, 8-bit DIO



► Panel



► Dimensions



DS910-OT

► Specifications

PROCESSOR SYSTEM

- APU
 - DS910-OT56N, AMD® T56N, 1.65GHz, 18W TDP, dual core
 - DS912-OT40N, AMD® T40N, 1.0GHz, 9W TDP, dual core
- Chipset
 - AMD® A50M

MEMORY

- 2 DDR3 SODIMM sockets
- Supports DDR3 1066/1333MHz (DS910-OT56N)
Supports DDR3 1066MHz (DS910-OT40N)
- Supports up to 16GB memory
- Single channel memory interface

GRAPHICS

- Supports Hardware H.264/MPEG-4 video decoder or AVC (Advanced Video Coding)
- 1080p video playback capability
- DVI-I display resolution up to 1920x1080
- HDMI display resolution up to 1920x1080
- Dual display outputs
 - DVI-I + HDMI

STORAGE

- 1 2.5" SATA drive bay
 - SATA 2.0 port with data transfer rate up to 3Gb/s
- 1 SD/MMC slot
- Supports 1 mSATA module via a Mini PCIe socket

ETHERNET

- Realtek® RTL8111DL Gigabit Ethernet controller

AUDIO

- Realtek® ALC262 2-channel High Definition Audio

COM

- 1 5-pole RS232 COM terminal block

EXPANSION

- 2 Mini PCIe slots
 - One of the slots support mSATA module

I/O PORTS

- Front Panel
 - 1 9-pole terminal block for 8-bit DIO
 - 1 5-pole RS232 COM terminal block
 - 2 USB 2.0 ports (Type A)
 - 1 SD/MMC slot
 - 1 Power LED
 - 1 HDD LED
- Rear Panel
 - 1 HDMI
 - 1 DVI-I
 - 1 Line-out
 - 1 LAN
 - 2 USB 2.0 (Type A)
 - 1 Reset button
 - 1 Power button
 - 2 antenna holes
 - 12V DC-in

POWER

- Power input voltage
 - +12V DC

ENVIRONMENT

- Temperature
 - Operating: 0°C ~ 45°C
 - Storage: -20°C ~ 70°C
- Humidity
 - Operating: 10% to 85% non-condensing
 - Storage: 10% to 90% non-condensing

CONSTRUCTION

- Aluminum + SGCC

MOUNTING

- Wall/VESA mount
 - brackets and screws (optional)

DIMENSIONS

- 210mm x 35mm x 194.3mm (W x H x D)

WEIGHT

- 1.71 kg

OS SUPPORT

- Windows 7, Windows 7 Embedded, Windows XP, Windows XP Embedded, Linux Kernel 2.6

OTHER FEATURES

- Watchdog Timer function

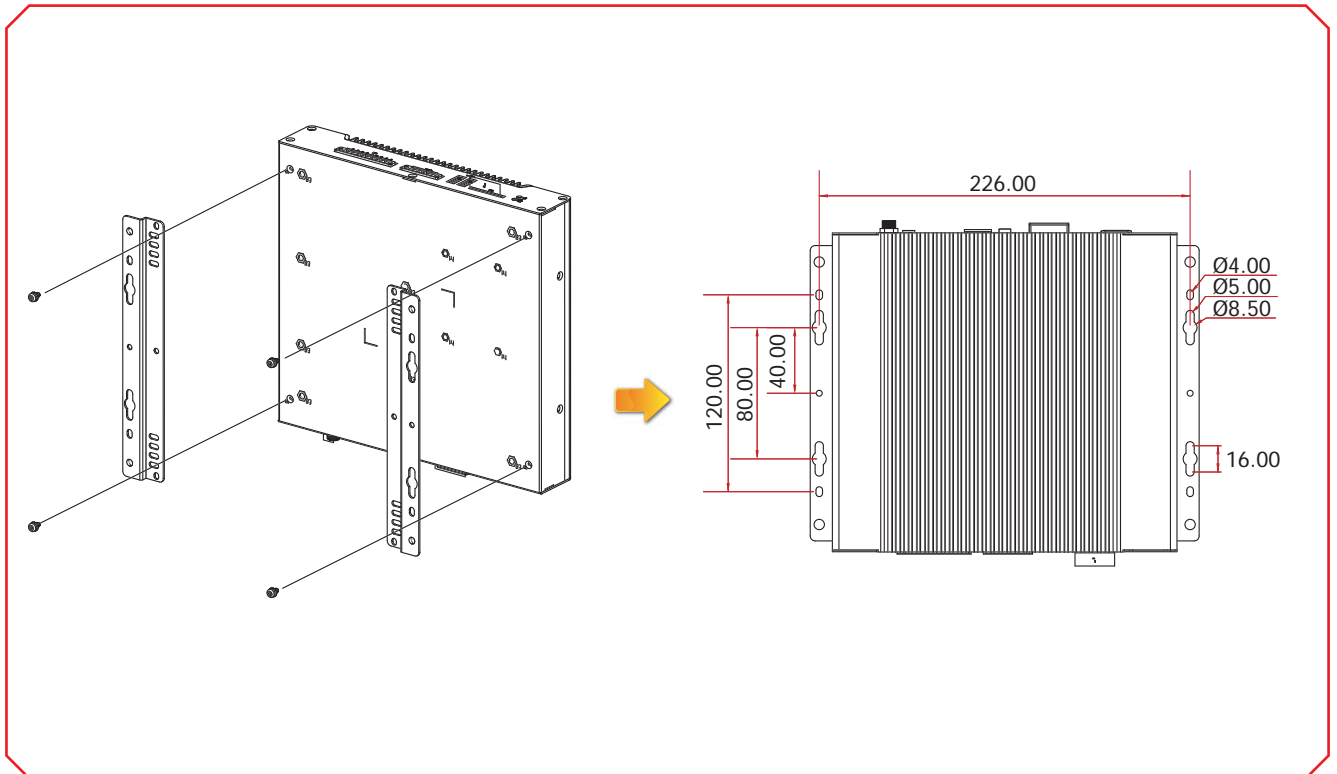
CERTIFICATION

- CE
- FCC Class B
- RoHS

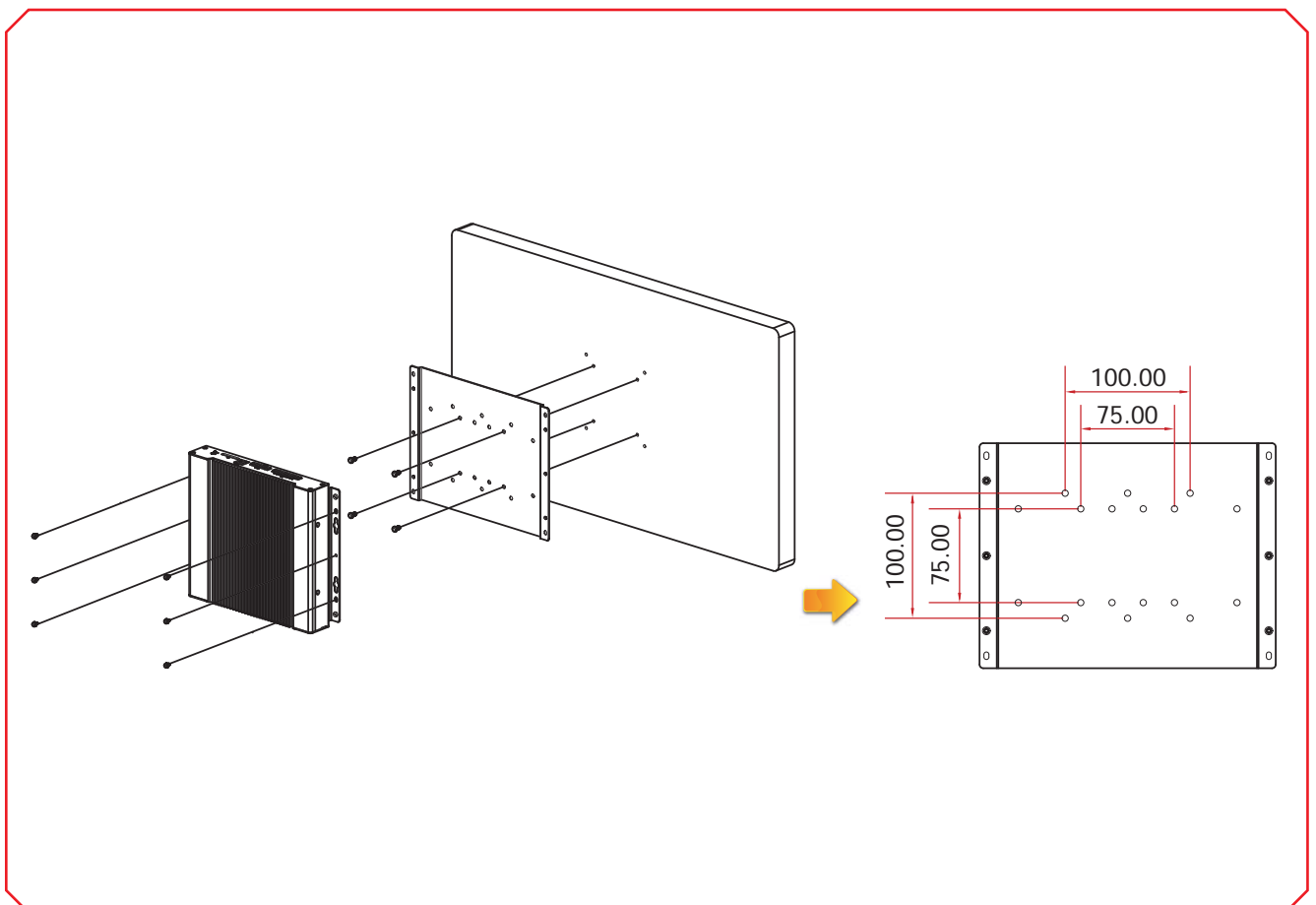


DS910-OT

▶ Wall Mounting



▶ VESA Mounting



DS910-OT

► Ordering Information

Model Name	Part Number	Description
DS910-OT56N	750-DS910T-000G	DS910-OT56N: SYSTEM OT930-BT56N Fanless, RoHS
DS910-OT40N	750-DS910T-500G	DS910-OT40N: SYSTEM OT930-BT40N Fanless, RoHS

► Optional Items

Optional Items	Part Number	Description
Memory	785-RSOD31G	SODIMM, DDR3, 1GB, RoHS
	785-RSOD32G	SODIMM, DDR3, 2GB, RoHS
	785-RSOD34G	SODIMM, DDR3, 4GB, RoHS
HDD	785-H25250G	2.5" SATA HDD, 250GB, RoHS
	785-H25500G	2.5" SATA HDD, 500GB, RoHS
Wall Mount	761-DS9120-000G	Wall Mount kit, RoHS
VESA Mount	761-DS9100-000G	VESA Mount kit, RoHS

► Packing List

• 1 DS910-OT system unit
• 1 HDD drive bay kit
- 4 HDD screws
- 1 SATA data/power cable
• 2 Terminal blocks
• 1 60W power adapter
- AC input: 100-240V, 50-60Hz
- DC output: 12V, 5A max (60W max)
• 1 Quick Installation Guide
• 1 DVD disk includes:
- Drivers/ Manual