

TIM-190NH

19 Inch Marine Monitor

GENERAL

This specification defines the descriptions for the TIM-190NH TFT LCD Monitor. TIM series is developed and designed for use in operator display such as Industrial and Marine applications. TIM series are subject to strict quality tests performed both internally and by independent Classification societies in the World such as ABS, BV, DNV, GL, KR, LR, NK and etc.

KEY FEATURES

- Type Approved Product from Major Class Certification Societies
- Anti-Glare and Anti-Reflective TFT LCD Technology
- LED Backlight Technology
- Tempered Glass for Panel Protection
- Long-Term Lifecycle Management

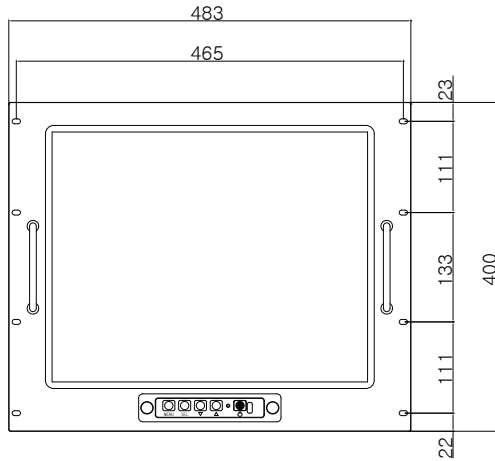


GENERAL FEATURE

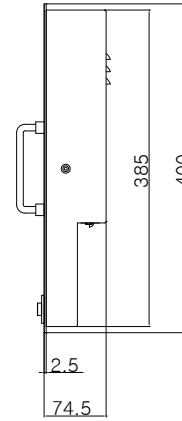
Section	Specifications
TFT Technology	Active Matrix Liquid Crystal Display Amorphous TFT (Thin Film Transistor) Anti-Glare & Anti-Reflective LED Backlight Technology
Viewable Size	19 inch diagonal
Active Area	376.320mm(H) x 301.060mm(V)
Resolution	1280 x 1024
Pixel Pitch	0.294(H) x 0.294(V)
Aspect Ratio	5:4
Response Time	5ms
Brightness	350cd/m ²
Contrast Ratio	1000:1
Viewable Angle	170°RL / 160°UD
Max Colors	16.7Million True Color
Synchronization Range	31~80KHz (Horizontal) 55~76Hz (Vertical)
Optimal Resolution	1280 x 1024 @60Hz
Detectable Resolution	640 x 350, 640 x 400, 640 x 480, 720 x 400, 800 x 600, 1024 x 768, 1280 x 1024
Input Signal	VGA (15p D-sub) DVI (29p DVI)
Power Specification	50/60Hz (IEC Standard Type)
Consumption	40W (Max)
Product Dimension	483mm(W) x 74.5mm(D) x 400mm(H)
Weight	9.39kg
Operation Conditions	Temperature : 0°C to +50°C Humidity : up to 95%
Storage Conditions	Temperature : -20°C to +60°C Humidity : up to 95%
Options	Dimming : 0~100%
Type Approval	IEC 60945, IACS E-10
Certification	ABS, BV, DNV, GL, KR, LR, NK

MARINE LCD MONITOR

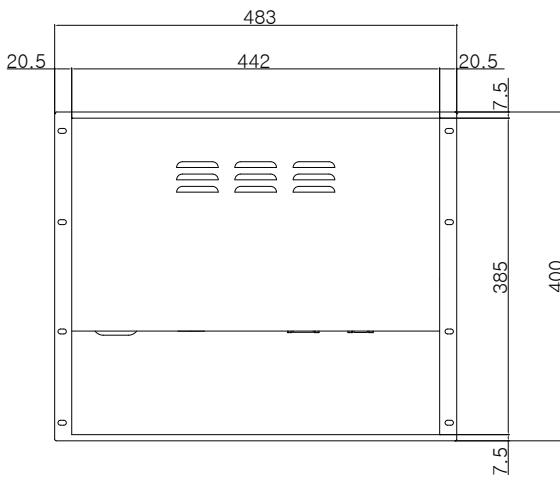
TIM-190NH



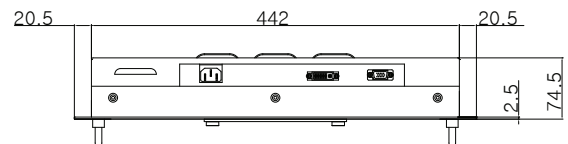
FRONT VIEW



SIDE VIEW



REAR VIEW



BOTTOM VIEW

Tetradyne Co., LTD.

#604/605, E&C VENTURE DREAM TOWER II, 55,
 DIGITAL-RO 33-GIL, GURO-RU, SEOUL, 152-719, REP KOREA
 Tel : +82-2-323-4972
 E-mail : sales@tetradyne.co.kr
 Web site : www.tetradyne.co.kr

Contact Point

Specifications and features are subject to change without notice.

All products names are trademarks or registered trademarks of Tetradyne.co.,Ltd.