

# PPC

**SP-6309 /  
SP-6307 /  
SP-6305**

**Fanless and Low Power  
19"/ 17"/ 15" Intel®  
N2800/D2550 processor  
Panel PC**

**Features and Benefits:**

- Intel® N2800/D2550 processor on board
- Totally fanless and quiet design
- Support CFast slot
- Optional Wireless LAN module
- Support wide voltage DC in (9~36V)
- Aluminum front bezel



**Protech Systems Co., Ltd.**

No. 24, Lane 365, Yang Goang Street, Nei Hu District Taipei 114, Taiwan  
TEL: +886-2-8751-1111 FAX: +886-2-8751-1199  
E-mail: sales@protech.com.tw  
<http://www.protech.com.tw>

**Protech Technologies Inc.**

950 Fee Ana St, Suite B Placentia, CA 92870  
TEL: +1-714- 996-7200 FAX: +1-714- 996-7300  
Sales: sales@protech-usa.net  
<http://www.protech-usa.net>

**Protech Japan Co., Ltd.**

OSK Bldg, 6F, 6-25-14, Minami-ohi Shinagawa-ku, Tokyo, 140-0013  
TEL: +81-3-5753-8411 FAX: +81-3-3763-9282  
E-mail: sam@protech-j.com  
<http://www.protech-j.com>



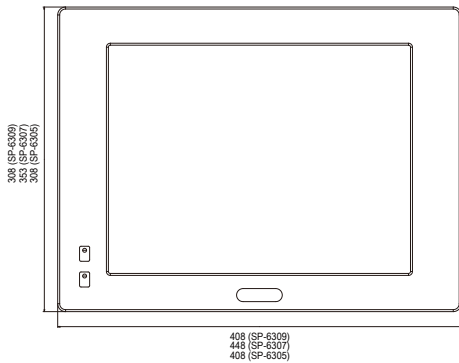
**ISO CERTIFIED  
9001 | 14001**

# SP-6309 / SP-6307 / SP-6305

Fanless and Low Power 19" / 17" / 15" Intel® N2800/D2550 processor Panel PC

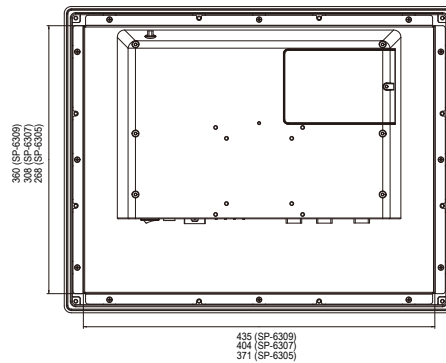
## Front View

SP-6309 / SP-6307 / SP-6305



## Rear View

SP-6309 / SP-6307 / SP-6305

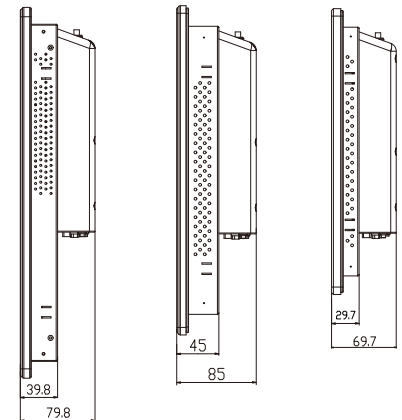


## Side View

SP-6309

SP-6307

SP-6305



Unit: mm

## Specification

### Systems

<b>CPU Type</b>	Intel® N2800/D2550 processor
<b>Chipset</b>	Intel® NM10
<b>Memory Support</b>	1x DDR3 SO-DIMM socket up to 1067 MHz, up to 4GB
<b>Front Bezel</b>	Aluminum
<b>IP65</b>	Yes (for front panel only)
<b>Power requirement</b>	DC in 9~36V
<b>O.S. Support</b>	Windows7 (32bit)
<b>Dimension</b>	SP-6309: 471 mm x 396mm x 79.8mm (18.54" x 15.59" x 3.14") SP-6307: 448 mm x 353mm x 85mm (17.64" x 13.86" x 3.35") SP-6305: 408 mm x 308mm x 69.7mm (16.06" x 12.13" x 2.74")
<b>System Weight</b>	SP-6309: 8.21kg SP-6307: 7.53kg SP-6305: 6.5kg
<b>VESA Mounting Support</b>	VESA 75/100
<b>Certificate</b>	FCC / CE

### I/O Ports

<b>USB</b>	4 x USB 2.0
<b>Audio</b>	1 x Line-out
<b>Serial Port</b>	4x COM port, (COM 1/2/3 with RI/5V/12V) COM 1/4 for RS232 COM 2/3 for RS232/422/485
<b>LAN</b>	2 x LAN (10/100/1000 Mbps)
<b>DVI</b>	1 x DVI-I
<b>Drive Bay</b>	1 x 2.5" SATA HDD
<b>Expansion Slots</b>	1 x CFast slot, 1 x mini PCIe slot

### Display

#### LCD

SP-6309: 19" 1280 x 1024 SXGA 300nit LED backlight LCD  
SP-6307: 17" 1280 x 1024 SXGA 350nit LED backlight LCD  
SP-6305: 15" 1024 x 768 XGA 400nit LED backlight LCD

#### Touch Screen

ELO 5-wire resistive type (USB interface)

### Environment

<b>Operation Temp.</b>	0~45° C (w/HDD) -5~55° C (w/CFast card)
<b>Storage Temp.</b>	- 20° ~ 60° C (- 4° ~ 140° F)
<b>Humidity</b>	20% ~ 90%

### Ordering Information

<b>SP-6309RA-A0B</b>	19" fanless Intel® N2800 Panel PC, with 19" 1280 x 1024 LCD / 5-Wire ELO touch
<b>SP-6309RA-B0B</b>	19" fanless Intel® D2550 Panel PC, with 19" 1280 x 1024 LCD / 5-Wire ELO touch
<b>SP-6307RA-A0B</b>	17" fanless Intel® N2800 Panel PC, with 17" 1280 x 1024 LCD / 5-Wire ELO touch
<b>SP-6307RA-B0B</b>	17" fanless Intel® D2550 Panel PC, with 17" 1280 x 1024 LCD / 5-Wire ELO touch
<b>SP-6305RA-A0B</b>	15" fanless Intel® N2800 Panel PC, w/AUO 15" 1024 x 768 LCD / 5-Wire ELO touch
<b>SP-6305RA-B0B</b>	15" fanless Intel® D2550 Panel PC, w/AUO 15" 1024 x 768 LCD / 5-Wire ELO touch
<b>52-002-11072302</b>	72W AC to DC 24V/3A Power Adapter
<b>52-002-02012001</b>	120W DC Power Adapter
<b>52-901-00002110</b>	LCD ARM
<b>52-901-00002210</b>	LCD TV Wall Mount Kit (VESA 100)

All of trademarks and brand names are the property of their owners. Trademark "Protech" is the property of Protech Systems Co., Ltd. All information contained in this document is subject to change without any prior notice. This catalog is copyrighted in Oct. 2013.