

PPC

**SP-6209 /
SP-6207 /
SP-6205**

**Fanless and High
performance 19" / 17" /
15" Panel PC**

Features and Benefits:

- Intel® Core™ 3rd Gen. mobile i3/i5/i7 (rPGA-988) processor
- Front Panel IP65 Mechanical Design
- Aluminum front bezel
- Built-in CFast slot for external storage or system boot up
- Riser card support 1xPCIe x4
- Optional 802.11b/g/n Wi-Fi Module
- 4 x USB 3.0
- Support wide range voltage DC in (9~36V)
- Totally fanless and quiet design
- OS support : Windows XP, Win7



Protech Systems Co., Ltd.

No. 24, Lane 365, Yang Goang Street, Nei Hu District Taipei 114, Taiwan
TEL: +886-2-8751-1111 FAX: +886-2-8751-1199
E-mail: sales@protech.com.tw
<http://www.protech.com.tw>

Protech Technologies Inc.

950 Fee Ana St, Suite B Placentia, CA 92870
TEL: +1-714- 996-7200 FAX: +1-714- 996-7300
Sales: sales@protech-usa.net
<http://www.protech-usa.net>

Protech Japan Co., Ltd.

OSK Bldg, 6F, 6-25-14, Minami-ohi Shinagawa-ku, Tokyo, 140-0013
TEL: +81-3-5753-8411 FAX: +81-3-3763-9282
E-mail: sam@protech-j.com
<http://www.protech-j.com>



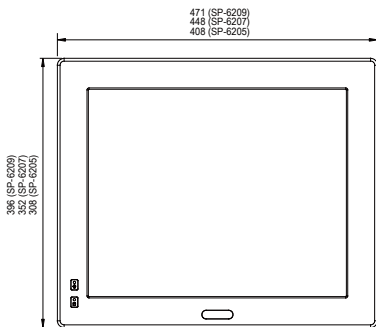
**ISO CERTIFIED
9001 | 14001**

SP-6209 / SP-6207 / SP-6205

Fanless and High performance 19" / 17" / 15" Panel PC

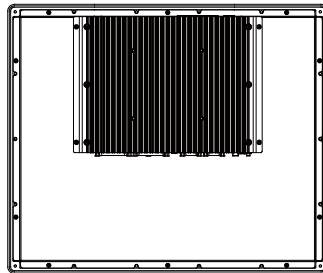
Front View

SP-6209 / SP-6207 / SP-6205



Rear View

SP-6209 / SP-6207 / SP-6205

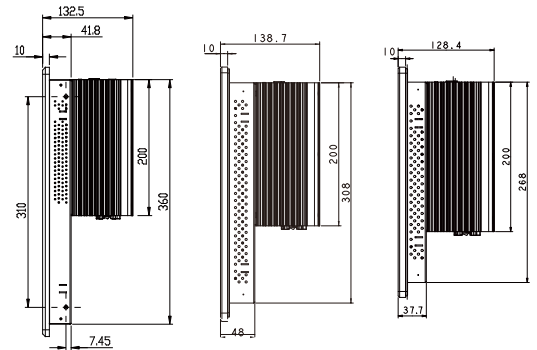


Side View

SP-6209

SP-6207

SP-6205



Unit: mm

Specification

Systems	
CPU Type	Intel® Core™ mobile i3 / i5 / i7 (rPGA-988) processor
Chipset	Intel® QM77 / HM76
Memory Support	2x204Pin DDR3 So-DIMM, Support DDR3/DDR3L 1600/1333/1066 up to 8GB/slot
Watchdog	1~255secs Watchdog timer selectable w / Reset / NMI
Driver Bay	2.5" SATA HDD drive bay x 1 Slim DVD-ROM X1(option)
Audio	High Definition Audio; 1 x Line-out / 1 x Mic-in
Power Supply	9~36V DC-in
Front Bezel	Aluminum
IP65	Yes (for front panel only)
Expansion Slot	1 x mini PCI-E slot (for WLAN module & 3G module) 1 x SIM card slot 1 x CFast slot 1 x PCIe x4 -- (10W max./slot)(option) (DVD-ROM / PCIe-expansion either)
Operating System	Microsoft Windows XP, Win7
Dimension	SP-6209: 471mm(W) x 396mm(H) x 133mm(D) SP-6207: 448mm(W) x 352mm(H) x 139mm(D) SP-6205: 408mm(W) x 308mm(H) x 128mm(D)
VESA Mounting Support	VESA 100
Certificate	FCC / CE
I/O Ports	
Serial Port	4 ports support (COM1/3/4 for RS232, COM2 for RS232/422/485, pin-9 5V/12V/RI selectable)
VGA	1 x VGA
LAN	LAN1 : Intel® 82579LM 10/100/1000 LAN LAN2 : Intel® 82583V 10/100/1000 LAN Support wake-on-LAN
Audio	1 x Line out, 1 x Mic-in
USB	4 x USB3.0
Parallel port	1 x DSUB-25
Digital I/O	DSUB-25, 8in/8out
DC-IN	1 x 9~36V (DIN type 4p connector or Phoenix type 3P terminal)
Expansion Slot	1 x PCIe x4 -- (10W max./slot)(option) (DVD-ROM / PCIe-expansion either)

Display

LCD	SP-6209: 19" 1280 x 1024 SXGA 300nit TFT LCD SP-6207: 17" 1280 x 1024 SXGA 380nit TFT LCD SP-6205: 15" 1024 x 768 XGA 400nit LED LCD
Touch Screen	(ELO) 5W Analog resistive (USB interface)
Environment	
Operation Temp.	HDD: -5°C ~45°C
Ambient with air flow	CFast card (Wide-Temp grade): -5°C ~ 55°C (w/o Audio)
Storage Temp.	- 20°C ~ 80°C
Humidity	10% ~ 90%

Ordering Information

SP-6209RA-A0B	Intel® QM77 barebone 19" Panel PC, with 19" LCD / 5 wire ELO touch, DIN type 4P DC power input
SP-6209RA-B0B	Intel® QM77 barebone 19" Panel PC, with 19" LCD / 5 wire ELO touch, Phoenix-3P DC power input
SP-6209RA-C0B	Intel® HM76 barebone 19" Panel PC, with 19" LCD / 5 wire ELO touch, DIN type 4P DC power input
SP-6209RA-D0B	Intel® HM76 barebone 19" Panel PC, with 19" LCD / 5 wire ELO touch, Phoenix-3P DC power input
SP-6207RA-A0B	Intel® QM77 barebone 17" Panel PC, with 17" LCD / 5 wire ELO touch, DIN type 4P DC power input
SP-6207RA-B0B	Intel® QM77 barebone 17" Panel PC, with 17" LCD / 5 wire ELO touch, Phoenix-3P DC power input
SP-6207RA-C0B	Intel® HM76 barebone 17" Panel PC, with 17" LCD / 5 wire ELO touch, DIN type 4P DC power input
SP-6207RA-D0B	Intel® HM76 barebone 17" Panel PC, with 17" LCD / 5 wire ELO touch, Phoenix-3P DC power input
SP-6205RA-A0B	Intel® QM77 barebone 15" Panel PC, with 15" LCD / 5 wire ELO touch, DIN type 4P DC power input
SP-6205RA-B0B	Intel® QM77 barebone 15" Panel PC, with 15" LCD / 5 wire ELO touch, Phoenix-3P DC power input
SP-6205RA-C0B	Intel® HM76 barebone 15" Panel PC, with 15" LCD / 5 wire ELO touch, DIN type 4P DC power input
SP-6205RA-D0B	Intel® HM76 barebone 15" Panel PC, with 15" LCD / 5 wire ELO touch, Phoenix-3P DC power input
52-002-02012001	120W DC Power Adapter(DIN-4P)(w/Lock)
27-012-17103111	POWER CABLE Phoenix 3P(Male) to DIN-4P

All of trademarks and brand names are the property of their owners. Trademark "Protech" is the property of Protech Systems Co., Ltd.
All information contained in this document is subject to change without any prior notice. This catalog is copyrighted in Dec. 2012.