

POS



POS-3152

The One-of-a-kind Highly Integrated & Performance 15" POS Terminal

Features and Benefits:

- Intel® Atom™ Pineview D525 CPU
- 15" LCD display with touch
- Flexible design for versatile applications
- Optional Vertical MSR /i-Button /ISO 14443A RFID module /fingerprint module
- Optional 2"/3" stand alone thermal printer
- Optional 8.4" 2nd LCD display
- Small footprint & Streamline design



Protech Systems Co., Ltd.

No. 24, Lane 365, Yang Goang Street, Nei Hu District Taipei 114, Taiwan
 TEL: +886-2-8751-1111 FAX: +886-2-8751-1199
 E-mail: sales@protech.com.tw
<http://www.protech.com.tw>

Protech Technologies Inc.

950 Fee Ana St, Suite B Placentia, CA 92870
 TEL: +1-714- 996-7200 FAX: +1-714- 996-7300
 Sales: sales@protech-usa.net
<http://www.protech-usa.net>

Protech Japan Co., Ltd.

OSK Bldg, 6F, 6-25-14, Minami-ohi Shinagawa-ku, Tokyo, 140-0013
 TEL: +81-3-5753-8411 FAX: +81-3-3763-9282
 E-mail: sam@protech-j.com
<http://www.protech-j.com>



ISO CERTIFIED
 9001 14001



MSR & Fingerprint



Slim DVD



VFD

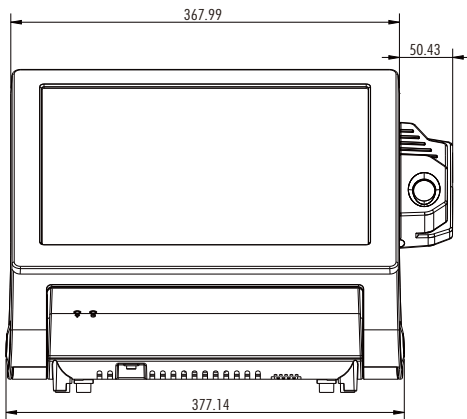


CF card & W-LAN

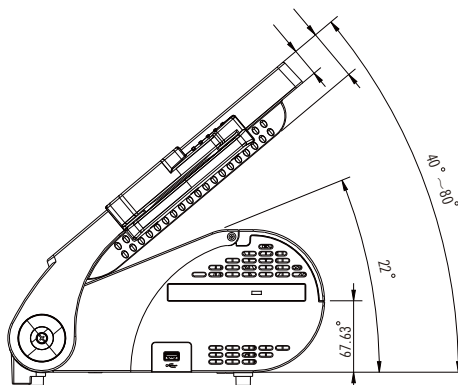
POS-3152

The One-of-a-kind Highly Integrated & Performance 15" POS Terminal

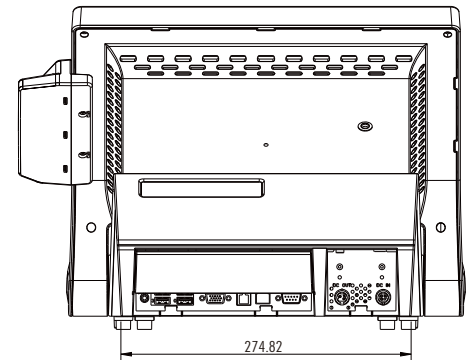
Top View



Side View



Rear View



Unit: mm

Specification

System	
CPU Support	Intel® Atom™ D525 CPU
Memory	1GB DDR3 SO-DIMM (up to 2GB)
Core Logic	Intel® ICH8M
Network	10/100/1000 Base-T Fast Ethernet
Power Supply	120 Watt power adaptor
Fan	Low noise & easy maintenance
System Weight	8.3 kg (Fanless)
Dimension (WxHxD)	368 x 291 x 201 mm (Angle: 40 degrees)
O.S. Compliant	Windows 7/ XP/ XPE, WEPOS, POSReady 2009

Storage

HDD	1 x 2.5" SATA HDD (standard 250GB)
SSD	over or equal 8GB
CD-ROM	Slim DVD-ROM or COMBO
CF	Bootable Compact Flash slot for CF type I/II storages

I/O Ports

USB	4 x USB 2.0 ports/ 1 x USB 2.0 on side bezel
Serial Ports	3 x DB-9 (COM 1/2/4), 1 x RJ45 (COM 3), +5V/12V selectable (COM 1~COM 4)
PS/2	1 x PS/2 ports (default at keyboard)
LAN	1 x RJ-45
VGA	1 x DB-15 VGA interface
Cash Drawer	1 x RJ11 (+12V or +24V selectable)(default at +12V)
DC in	Link from Power adaptor
DC out	Provide 24V / 2.5A (maximum)

Display

LCD	15" TFT LCD
Max. Resolution	1024 x 768
Brightness	250 cd/m ²
Touch Screen	5-wire analog resistive
Viewing Angle	40 ~ 65 degree

Environment

EMC & Safety	CE / FCC
Operating Temp.	0° ~ 35°C
Storage Temp.	-20° ~ 60°C
Humidity	20% ~ 90%

Ordering Information

POS-3152	15" POS Terminal with Intel® Atom™ Pineview D525 CPU, 1~2GB DDR3, SO-DIMM, 250GB HDD
VFD Customer Display	Vacuum Fluorescent Display, 20 columns and 2 lines, each column is 5 x 7 dots
Color	Black or White
OS	Windows 7/ XP / XPE, WEPOS, POSReady 2009
Wireless LAN	Mini PCIe Wireless LAN Module 802.11 b/g
2nd Display	8.4", 800 x 600, 2nd Display
MSR /Fingerprint (External vertical module)	MSR, Read only, ISO Track1+2+3 (PS/2 KB Interface) + Fingerprint (USB Interface)
MSR /i-Button /RFID (External vertical module)	MSR, Read only, JIS-I or II, ISO Track1+2+3; I-button Read only; RFID, Read /Write, ISO 14443A 13.56MHz (USB Interface)

All of trademarks and brand names are the property of their owners. Trademark "Protech" is the property of Protech Systems Co., Ltd. All information contained in this document is subject to change without any prior notice. This catalog is copyrighted in May 2011.