

PA-6222

NEW



The 12.1" Waterproof Bezel Free Touch POS Terminal



Features

- True Fanless Design with Intel® Celeron® J1900 CPU
- Aluminum Die Casting Backcover
- 12.1" Bezel Free Touch Screen Slim Design
- IP54 Housing Design without Holes Exception I/O Area
- Small stand with Integrated Power Adapter
- HDD Easy Maintenance Design
- Optional MSR / i-Button / Fingerprint / VFD / 2nd Display
- Optional integrated Wireless LAN
- Wall-mountable VESA 75 x 75 or 100 x 100 Standard

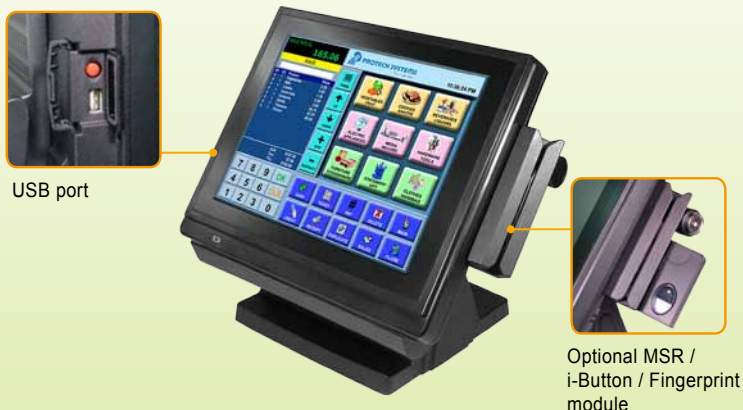


Specifications

System	CPU Support	Intel® Celeron® J1900
	Memory	DDR3L SO-DIMM (1 slot, up to 8GB)
	Network	10/100/1000 Base-T Fast Ethernet
	Power Supply	72 Watt power adapter
	Audio	2W speaker
	System Weight	with power adaptor approx. 5 kg
	Dimension	320 x 303 x 236 mm
	O.S. Support	Win8 / POSReady7
	Mounting type	Support VESA 75/100 standard
Water proof	IP54 with Panel-PC (NOT including I/O area)	
	Storage	SATA
I/O Ports	USB	4 x USB on rear, 1 x USB on side bezel
	Serial Ports	3 x RJ45 (+5V/12V selectable)
	LAN	1 x RJ45
	VGA	1 x DB15
	Line Out	1 x phone jack
	Cash Drawer	1 + 1(option, with Y cable) x RJ11 (+12V or +24V selectable)
	DC-in	1 x 4pin DC Power Jack
	Peripheral	Customer Display
MSR & iButton		JIS-I or II, ISO Track1+2+3 (PS/2 interface)
2 nd Display		8" or 10.4" LCD
Fingerprint		8-bit grayscale, reader
Display	LCD	12.1" TFT LCD
	Resolution	1024 x 768
	Brightness	450 cd/m ²
	Touch Screen	Bezel-Free 5-wire Analog resistive
Environment	EMC & Safety	CE / FCC
	Operating Temp.	0 ~ 35° C
	Storage Temp.	-5 ~ 60° C
	Humidity	20 ~ 90%

*All information contained in this document is subject to change without prior notice. Please log on www.protech.com.tw to acquire latest information.

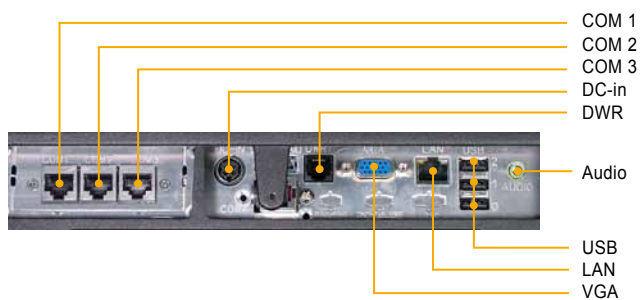
Highlights



Back mountable VFD / 8" or 10.4" 2nd display



System I/O Ports



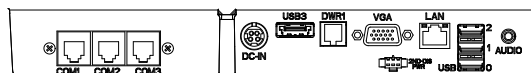
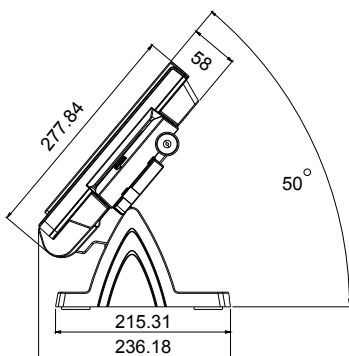
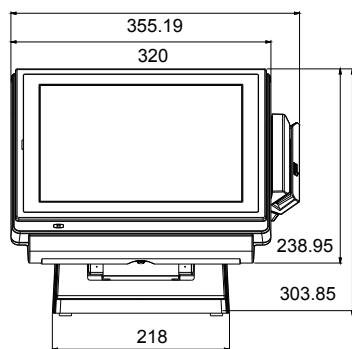
Ordering Information

Order No	Description
PA-6222RC-A0B	Intel® Celeron® J1900 with Waterproof design and True Flat Resistive Touch, 72W Power Adaptor
PA-6222RZ-21A	DDR3 2GB memory /2.5" HDD
PA-6225RZ-41B	MSR, JIS-I or II, ISO Track1+2+3 (PS/2 interface)
PA-6151RZ-41B	Vacuum Fluorescent Display, 20 columns and 2 lines, each column is 5 x 7 dots
PA-6225RZ-52B	10.4" 2nd Display (800 x 600)
Color	Black
OS	Win8, POSReady7

Applications

- Hospitality
- Retail
- Food and Beverage

Dimensions



unit: mm

Protech Systems Co., Ltd.

No. 24, Lane 365, Yang Goang Street,
Nei Hu District Taipei 114, Taiwan R.O.C.
TEL: +886-2-8751-1111

Protech Technologies Inc.

950 Fee Ana St, Suite B
Placentia, CA 92870
TEL: +1-714-996-7200

Protech Japan Co., Ltd.

OSK Bldg, 6F, 6-25-14, Minami-ohi
Shinagawa-ku, Tokyo, 140-0013
TEL: +81-3-5753-8411

PROX SYSTEMS Germany GmbH

Weststrasse 20a, 40721 Hilden
düsseldorf, Germany
TEL: +49 (0) 2103-41898-18