

DFI® DS912-OT Digital Signage



Features

- AMD® T56N/T40N; AMD® A50M
- Dual display output
- Supports DDR3 SODIMM; up to 16GB
- 1 2.5" SATA drive bay, 1 SD/MMC
- 1 PCIe x16 slot (x4 signal) for graphics expansion
- Supports mSATA via a Mini PCIe slot
- 1 LAN, 1 HDMI, 1 DVI-I, 4 USB, 2 COM, 1 Line-out, 8-bit DIO

System Specifications

PROCESSOR SYSTEM

- APU
 - DS912-OT56N, AMD® T56N, 1.65GHz, 18W TDP, dual-core
 - DS912-OT40N, AMD® T40N, 1.0GHz, 9W TDP, dual-core
- Chipset
 - AMD® A50M

MEMORY

- 2 DDR3 SODIMM sockets
- Supports DDR3 1066/1333MHz (DS912-OT56N)
Supports DDR3 1066MHz (DS912-OT40N)
- Supports up to 16GB memory
- Single channel memory interface

GRAPHICS

- Supports Hardware H.264/MPEG-4 video decoder or AVC (Advanced Video Coding)
- 1080p video playback capability
- DVI-I display resolution up to 1920x1080
- HDMI display resolution up to 1920x1080
- Dual display outputs
 - DVI-I + HDMI

STORAGE

- 1 2.5" SATA drive bay
- 1 SD/MMC slot
- Supports 1 mSATA module via a Mini PCIe socket

ETHERNET

- Realtek® RTL8111DL Gigabit Ethernet controller

AUDIO

- Realtek® ALC262 2-channel High Definition Audio

COM

- 1 5-pole RS232 COM terminal block
- 1 DB-9 RS232/422/485 COM

I/O PORTS

- Front Panel
 - 1 9-pole terminal block for 8-bit DIO
 - 1 5-pole RS232 COM terminal block
 - 2 USB 2.0 ports (Type A)
 - 1 SD/MMC slot
 - 1 Power LED
 - 1 HDD LED
- Rear Panel
 - 1 DB-9 RS232/422/485 COM
 - 1 HDMI
 - 1 DVI-I
 - 1 Line-out
 - 1 LAN
 - 2 USB 2.0 (Type A)
 - 1 Reset button
 - 1 Power button
 - 2 antenna holes
 - 12V DC-in

EXPANSION

- 1 PCIe x16 slot (x4 signal)
 - Supports PCIe graphics card (low profile)
- 2 Mini PCIe slots
 - One of the slots support mSATA module

POWER

- Power input voltage
 - +12V DC

COOLING SYSTEM

- 2 system fans

ENVIRONMENT

- Temperature
 - Operating: 0°C ~ 45°C
 - Storage: -20°C ~ 70°C
- Humidity
 - Operating: 10% to 85% non-condensing
 - Storage: 10% to 90% non-condensing

CONSTRUCTION

- SGCC

MOUNTING

- Wall/VESA/Rack mount
 - brackets and screws (optional)

DIMENSIONS

- 295mm x 43.5mm x 205mm (W x H x D)

WEIGHT

- 1.85 kg

OS SUPPORT

- Windows 7, Windows 7 Embedded, Windows XP, Windows XP Embedded, Linux Kernel 2.6

OTHER FEATURES

- Watchdog Timer function

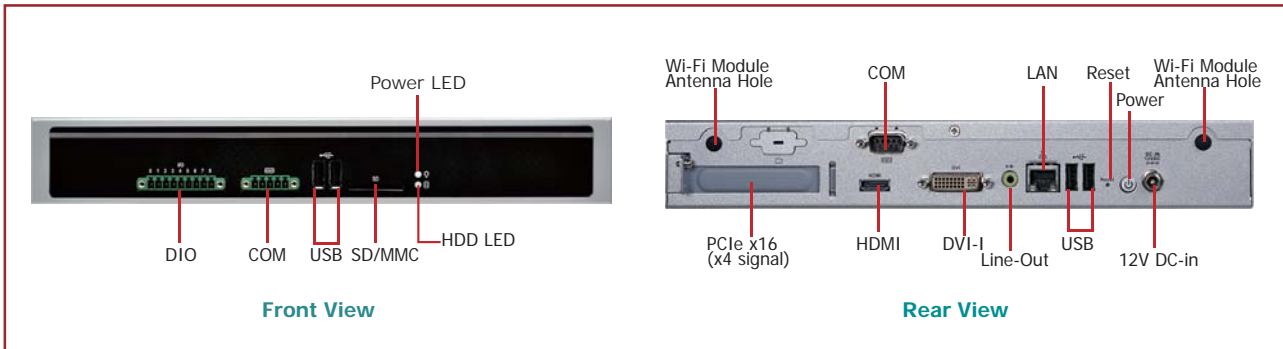
CERTIFICATION

- CE
- FCC Class B
- RoHS

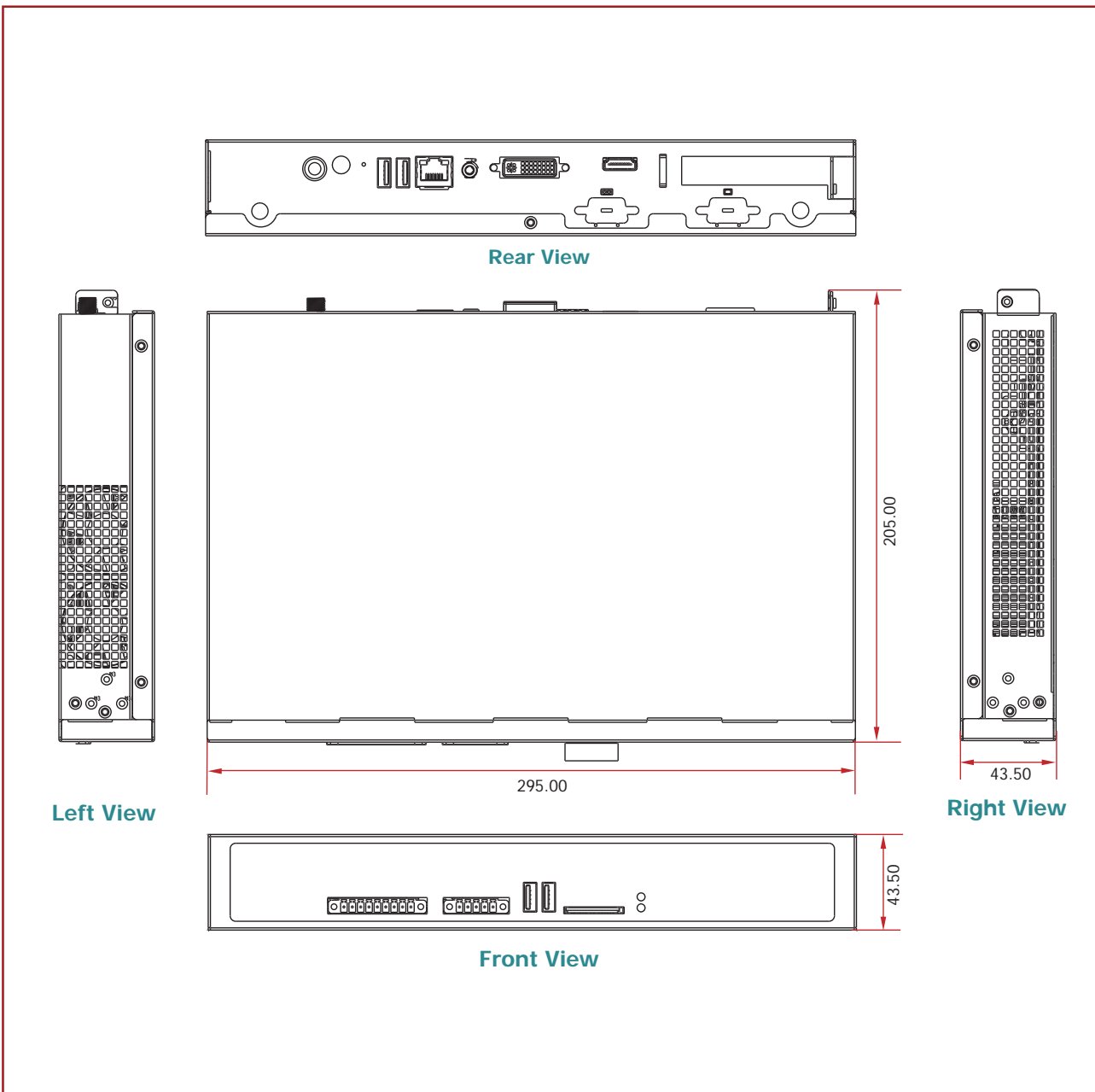
DS912-OT Digital Signage



Panel

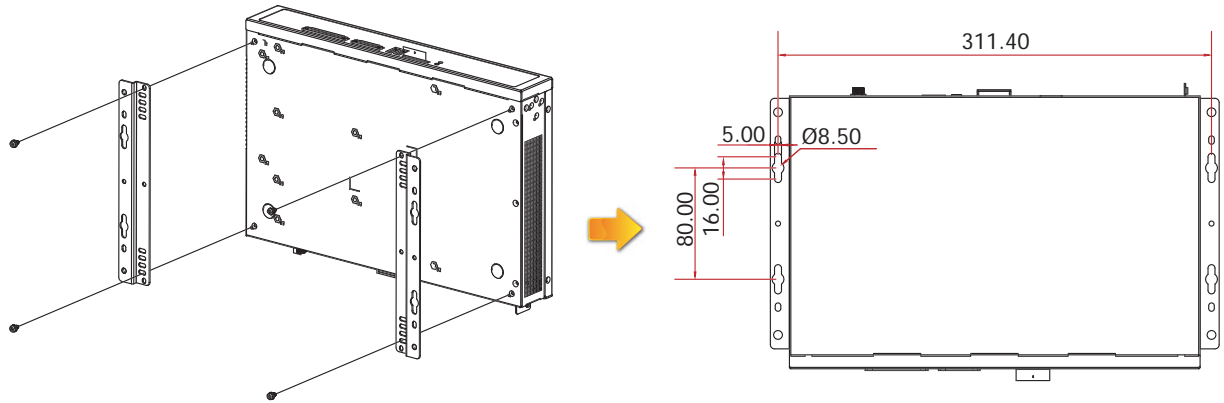


Dimensions

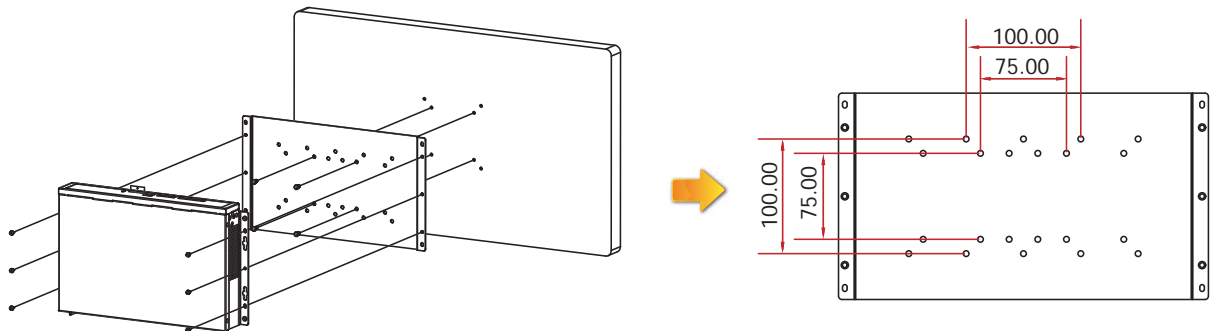


Mounting

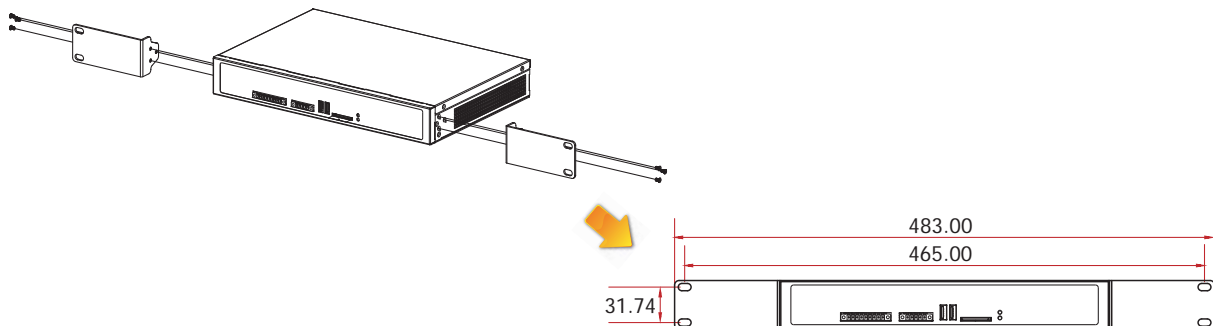
Wall Mounting



VESA Mounting



Rack Mounting



Packing List

- 1 DS912-OT system unit
- 1 HDD drive bay kit
 - 4 HDD screws
 - 1 SATA with power cable
- 2 Terminal blocks
- 1 60W power adapter
 - AC input: 100-240V, 50-60Hz
 - DC output: 12V, 5A max (60W max)
- 1 Quick Installation Guide
- 1 DVD disk includes:
 - Drivers / Manual

Ordering Information

Model Name	Part Number	Description
DS912-OT56N	750-DS912T-000G	DS912-OT56N:SYSTEM OT930-BT56N Fan F/G RoHS
DS912-OT40N	750-DS912T-500G	DS912-OT40N:SYSTEM OT930-BT40N Fan F/G RoHS

Optional Items

Optional Items	Part Number	Description
Memory	785-RSOD31G	SODIMM, DDR3, 1GB, RoHS
	785-RSOD32G	SODIMM, DDR3, 2GB, RoHS
	785-RSOD34G	SODIMM, DDR3, 4GB, RoHS
HDD	785-H25250G	2.5" SATA HDD, 250GB, RoHS
	785-H25500G	2.5" SATA HDD, 500GB, RoHS
Wall Mount	761-DS9120-000G	DS912 Wall Mount kit
VESA Mount	761-DS9100-000G	DS910 VESA Mount kit RoHS
Rack Mount	761-DS9120-300G	DS912 Rack Mount kit RoHS